



PIPE & TUBE CUT-OFF MACHINES
A DIVISION OF KIENE DIESEL ACCESSORIES, INC.

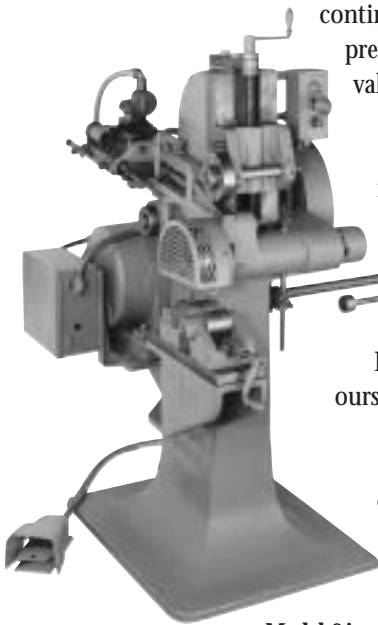
Cutting Pipe & Tube Easily *Speer Mechanical*

Speer Mechanical, located in Columbus, Ohio, has been in business for more than 75 years and has had a pipe fabrication shop for over 20 years. Speer's Chairman of the Board of Directors is a past president of the Mechanical Contractors Association of America.

Gary Wells, the Speer Fabrication Shop Foreman, considers the Continental pipe cutter a critical asset to the fabrication shop. "We probably make an average of 20-50 cuts per day with our Continental Cutter. We use it to cut 2-1/2 through 6 inch Sch 40 and Sch 80 pipe. The saving increases with the larger diameter pipe. For example: there is probably a 75%-80% labor savings to make a 6" cut with the cutter over conventional torch or saw cutting.



"Using this machine, we have been able to make cuts down to an inch or less. The edge left on the pipe after a cut has enough bevel to make a weld with minimal end preparation. As we continue to increase our delivery of precisely measured, prefabricated pipe to job sites, this machine is one of our most valuable tools in the fabrication shop.



Model 6A

"This is a very durable piece of equipment. Our machine is approximately 30 years old, so its longevity and continued reliable operation are obvious. We recently had to replace the cutter block assembly. Although this is an expensive part – over \$1,000 – we discovered it was the original. Blades and parts are available even for a machine the age of ours.

"The machine is easy to operate and training for safe operation is minimal. This adds to the machine's value by reducing the amount of time that it takes to get fabrication shop personnel up to speed."

Type of Company:

Machining and Fabricating Job Shop

Location:

Columbus, OH

Concerns:

Machine Quality

Easy to Use

Durability