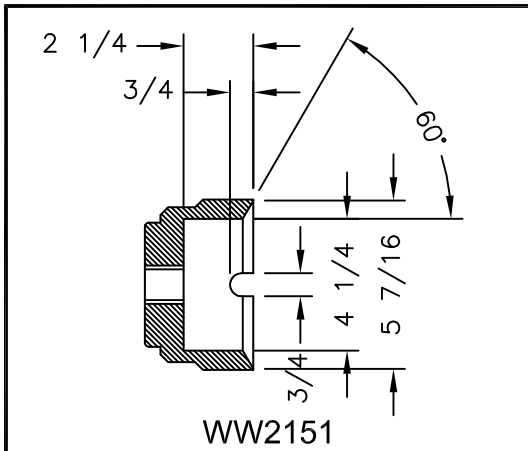
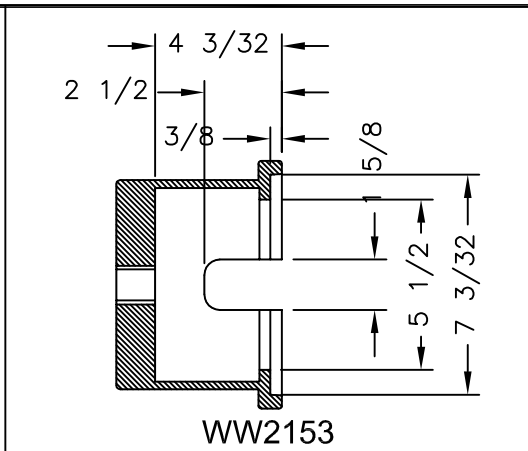


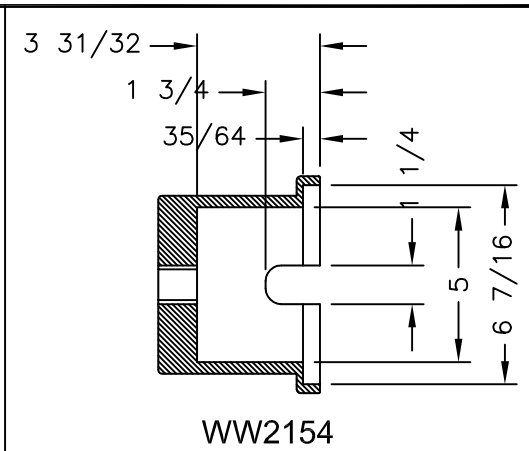
PART NUMBER	DESCRIPTION	APPLICATION
WW2151	DRIVE AXLE SOCKET	FITS MOST EATON & MERITOR (ROCKWELL) DRIVE AXLES
WW2153	BUS STEERING AXLE & EUCLID TRAILER SOCKET	CR1798, STEMCO 343-4176 & 343-4080 AND EUCLID HUB CAPS
WW2154	TRAILER SOCKET	FITS MOST HUB CAPS WITH 5-1/2" BOLT CIRCLE, ALSO FORD F-450/550 DRIVE AXLES (F-350, E-350 & E-450 INSERTS AVAILABLE)
WW2155	FREUHAUF TRAILER SOCKET	
WW2156	PRO PAR TRAILER SOCKET	FITS MOST HUB CAPS WITH 6-1/4" AND 6-3/4" BOLT CIRCLE
WW2161	DRIVE AXLE UPS PACKAGE CAR SCHOOL BUS	FITS ROCKWELL DRIVE AXLE WITH 5-5/16" STUD CIRCLE AND EATON DRIVE AXLE WITH 5-1/4" STUD CIRCLE



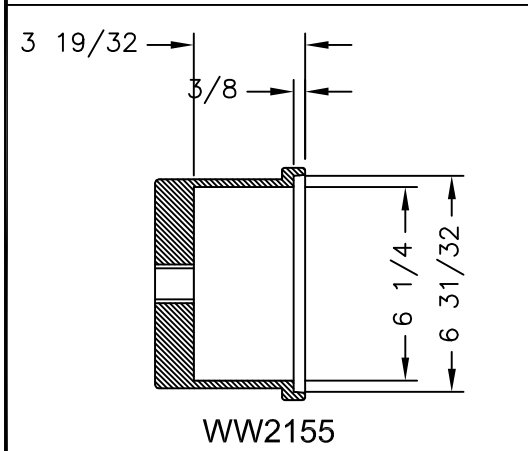
WW2151



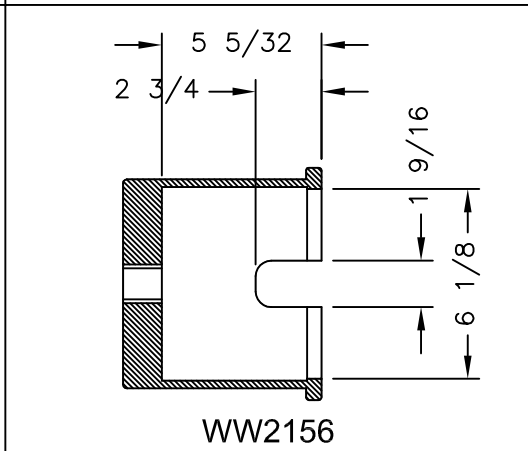
WW2153



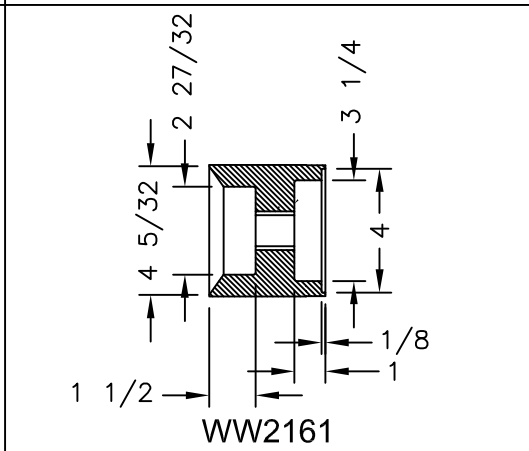
WW2154



WW2155



WW2156



WW2161