

KIENE

DIESEL ACCESSORIES, INC.

KIENE EUROPEAN-TYPE DIESEL ENGINE INDICATOR AND SAFETY VALVES



Kiene's 1715, 1720 and 1725 series indicator valves and 1750 series safety valves were developed and manufactured in Germany by Kistler/Baewert. They are designed for use on large, European diesel engines. In 2018, Kiene Diesel Accessories acquired these product lines from Kistler.

KIENE
DIESEL ACCESSORIES, INC.

Visit our website at www.kienediesel.com

E-mail: info@kienediesel.com

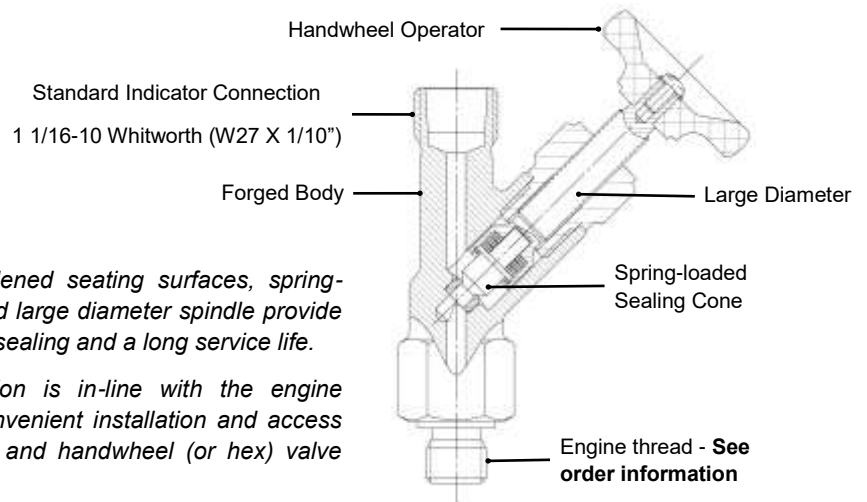
325 South Fairbank Street, Addison, Illinois, 60101 • Telephone: 1-800-264-5950 • Fax: 630-543-5953

1715 SERIES INDICATOR VALVE



The forged body, hardened seating surfaces, spring-loaded sealing cone and large diameter spindle provide smooth action, positive sealing and a long service life.

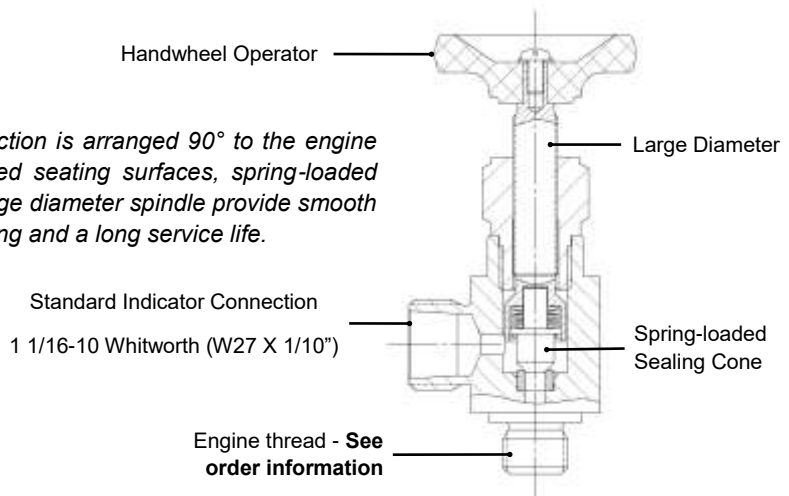
The indicator connection is in-line with the engine thread. This means convenient installation and access to indicator connection and handwheel (or hex) valve



1720 SERIES INDICATOR VALVE



The indicator connection is arranged 90° to the engine thread. The hardened seating surfaces, spring-loaded sealing cone and large diameter spindle provide smooth action, positive sealing and a long service life.



SEE OTHER SIDE FOR ORDERING INFORMATION

DESIGN FEATURES

- 250 Bar Maximum Working Pressure.
- Indicator connection accepts all common analyzers, pressure indicators, and card drawing indicators.

Kiene's 1715 and 1720 series indicator valves were developed and manufactured in Germany by Kistler/Baewert. They are designed for use on large, European diesel engines. In 2018, Kiene Diesel Accessories acquired these product lines from Kistler.

ORDERING INFORMATION

IMAGE	DESCRIPTION	MODEL	OLD MODEL	ENGINE	OPERATOR
	TYPE 1715 M20X2.0	18028907	1200003	M20X2.0	HANDWHEEL
	TYPE 1715 M20X1.5	18028910	1200008	M20X1.5	HANDWHEEL
	TYPE 1715 W3/4	18028911	1200009	W3/4"	HANDWHEEL
	TYPE 1715 M18X1.5	18028919	1200038	M18X1.5	HANDWHEEL
	TYPE 1715 M20X2.5	18028920	1200039	M20X2.5	HANDWHEEL
	TYPE 1715 G0.75	18028926	NA	G3/4	HANDWHEEL
	TYPE 1715 SW17 W3/4	18028912	1200010	W3/4"	17MM HEX NUT
	TYPE 1715 SW M20X1.5	18028921	1200043	M20X1.5	17MM HEX NUT
	TYPE 1715 LONG W3/4	18028922	1200044	W3/4"	HANDWHEEL
	TYPE 1715/1	18028924	1200049	G3/4	HANDWHEEL
	TYPE 1715/1 SW17	18028925	1200050	G3/4	17MM HEX NUT
	TYPE 1720 W3/4	18028908	1200004	W3/4"	HANDWHEEL
	TYPE 1720 M20X1.5	18028909	1200006	M20X1.5	HANDWHEEL
	TYPE 1720 M20X2.0	18028916	1200028	M20X2.0	HANDWHEEL
	TYPE 1720 M18X2.5	18028918	1200037	M18X2.5	HANDWHEEL
	TYPE 1720 M20X2.5	18029773	1200055	M20X2.5	HANDWHEEL
	TYPE 1720 M22X2.0	18030730	1200070	M22X2.0	HANDWHEEL
	TYPE 1720S M24X1.5	18028913	1200011	M24X1.5(F)	17MM HEX NUT

1725 SERIES EUROPEAN-TYPE INDICATOR VALVES FOR LARGE DIESEL ENGINES

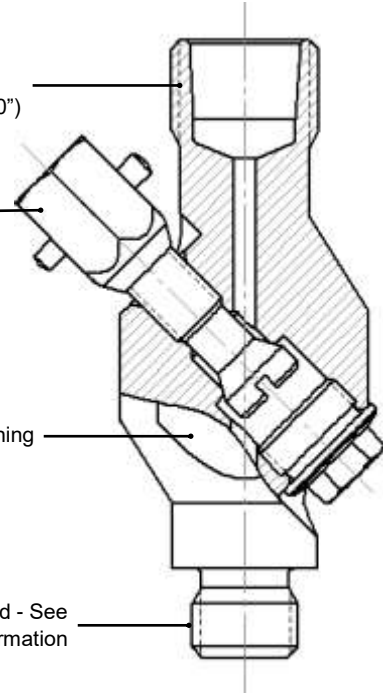


Standard Indicator Connection
1 1/16-10 Whitworth (W27 X 1/10")

17mm Hex Operator

32mm milled flats for wrenching

Engine thread - See
order information



DESIGN FEATURES

- 250 Bar Maximum Working Pressure.
- Valve opens against and closes with engine pressure. Eliminates valve opening while engine is in operation.
- The engine thread is available in a variety of thread sizes and configurations.
- Indicator connection accepts all common analyzers, pressure indicators, and card drawing indicators.
- Indicator connection is in-line with the engine thread. Convenient installation and access to indicator connection and valve stem.

ORDERING INFORMATION

IMAGE	DESCRIPTION	MODEL	OLD MODEL	ENGINE
	TYPE 1725 M20X2.0	18028906	1200001	M20X2.0
	TYPE 1725 G1/2	18028914	1200017	G1/2
	TYPE 1725 W3/4	18028915	1200022	W3/4"
	TYPE 1725 M20X1.5	18028917	1200031	M20X1.5
	TYPE 1725 M18X2.5	18031935	1200076	M18X2.5

INDICATOR VALVE ACCESSORIES

IMAGE	DESCRIPTION	MODEL	OLD MODEL
	VALVE CAP TO PROTECT INDICATOR THREAD	AX-17	NA
	NU-THREAD, 1 1/16-10 WHITWORTH THREAD CLEAN-UP DIE	AX-18	NA

Kiene's 1725 series indicator valves were developed and manufactured in Germany by Kistler/Baewert. They are designed for use on large, European diesel engines. In 2018, Kiene Diesel Accessories acquired these product lines from Kistler.