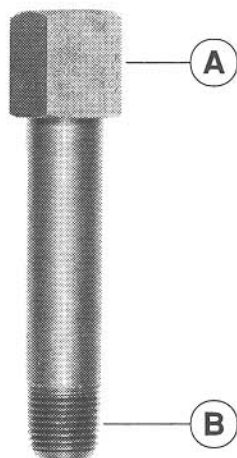
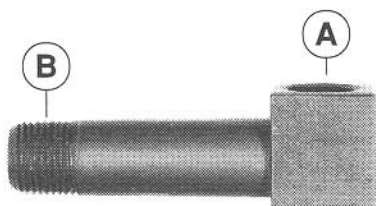


V-LINE VALVE ADAPTERS INDICATOR CONNECTORS & EXTENSIONS



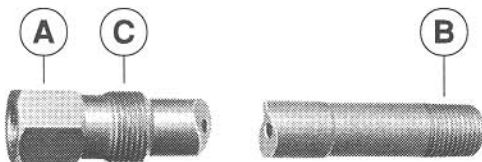
VALVE ADAPTERS – STRAIGHT

MODEL	A	B	LENGTH
AX-1	1/2" NPT (F)	1/2" NPT (M)	8"
AX-3	1/2" NPT (F)	1/2" NPT (M)	6"
AX-3B	1/2" NPT (F)	1/2" NPT (M)	5"
AX-6A	1/2" NPT (F)	7/8"-9 (M)	2-3/8"
AX-7	1/2" NPT (F)	1/2" NPT (M)	3"
AX-7A	1/2" NPT (F)	1/2" NPT (M)	3"
AX-7B	1/2" NPT (F)	1/2" NPT (M)	14-1/2"
AX-9	7/8"-12 (F)	7/8"-12 (M)	8"
AX-9A	7/8"-12 (F)	7/8"-12 (M)	3"
AX-9B	7/8"-12 (F)	7/8"-12 (M)	12"
AX-11	1/2" NPT (F)	7/8"-9 (M)	10"



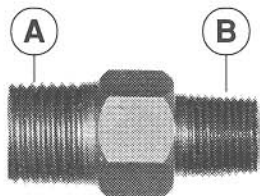
V-LINE VALVE ADAPTERS – 90° OFFSET

MODEL	A	B	LENGTH
AX-6	1/2" NPT (F)	1/2" NPT (M)	3"
AX-6B	1/2" NPT (F)	7/8"-12 (M)	3-1/4"
AX-6C	1/2" NPT (F)	1/2" NPT (M)	4"
AX-9C	7/8"-12 (F)	7/8"-12 (M)	4"
AX-21	7/8"-12 (F)	7/8"-12 (M)	9°-45° Bend
AX-25	7/8"-12 (F)	7/8"-12 (M)	5°-22° Bend

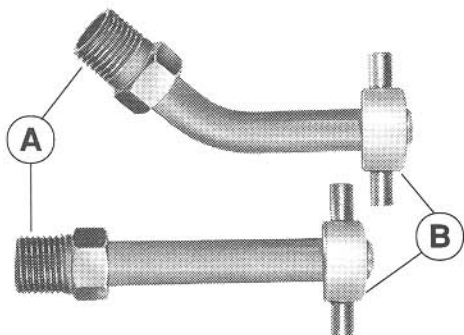


VALVE/INDICATOR ADAPTERS – SPECIAL

MODEL	A	B	C	LENGTH
AX-8SA	3/4"-16 (F)	1/2" NPT (M)	1-1/8"-12	9-1/4" (EMD)
AX-101	1/2" NPT (M)	1/2" NPT (M)	7/8"-14	6-1/2" (Clark)
AX-102	1/2" NPT (M)	1/2" NPT (M)	7/8"-14	8-1/2" (Clark)
AX-103	1/2" NPT (M)	1/2" NPT (M)	7/8"-14	10-1/2" (Clark)



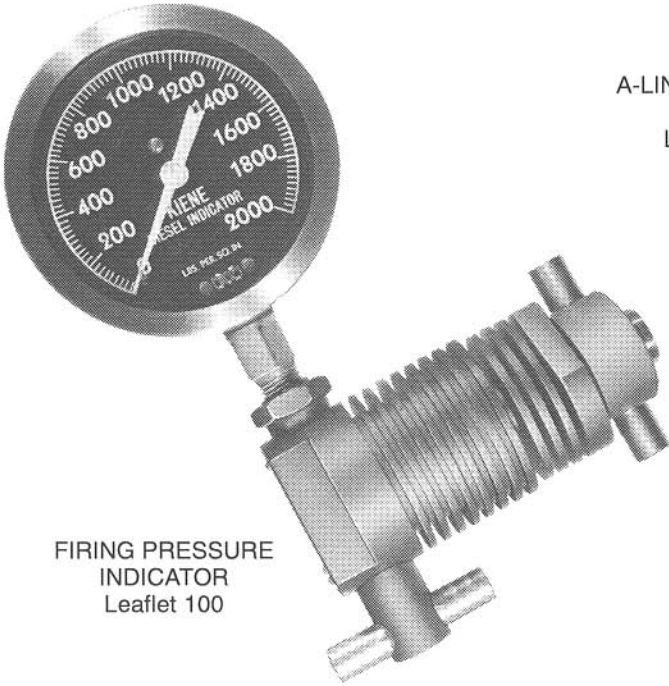
MODEL	A	B	LENGTH
AX-2	Indicator Connection (M)	1/2" NPT (M)	2-1/2"
AX-2A	Indicator Connection (M)	1/8" NPT (M)	2-1/2"
AX-4	Indicator Connection (M)	1/4" NPT (M)	2-1/2"
AX-4A	Indicator Connection (M)	1/4" NPT (M)	7"



INDICATOR VALVE EXTENSIONS

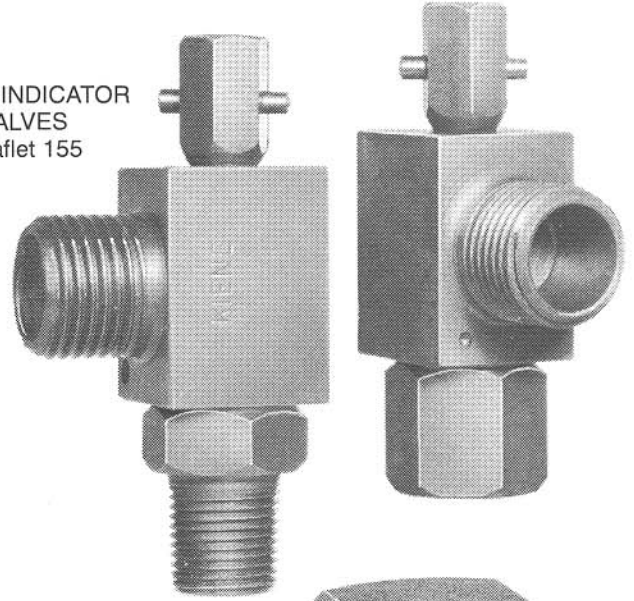
MODEL	A	B	TYPE	LENGTH
AX-10	Indicator Connection (M)	Indicator Connection (F)	Str.	6"
AX-10-12	Indicator Connection (M)	Indicator Connection (F)	Str.	12"
AX-13A	Indicator Connection (M)	Indicator Connection (F)	45° Bend	6"

ASK FOR PRODUCT LITERATURE ON THESE OTHER KIENE PRODUCTS

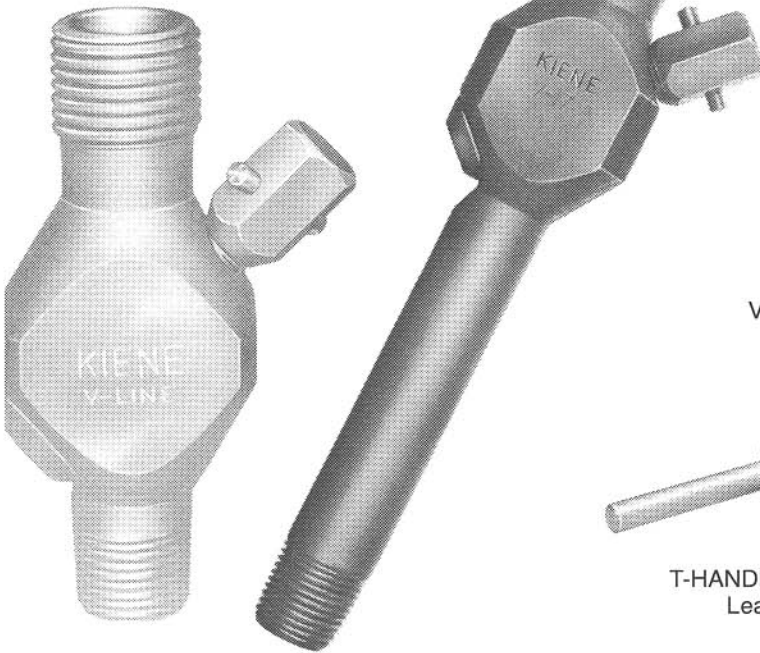


FIRING PRESSURE INDICATOR
Leaflet 100

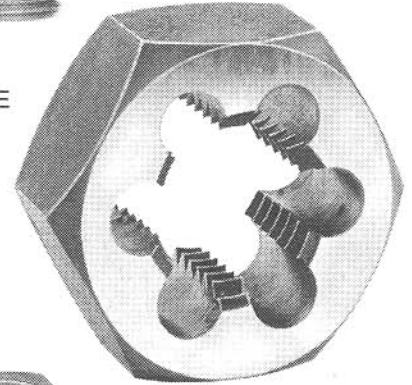
A-LINE INDICATOR VALVES
Leaflet 155



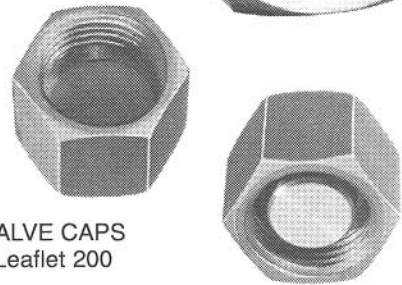
TYPICAL V-LINE INDICATOR VALVES
Leaflet 150 & 152



NU-THRED DIE
Leaflet 200



VALVE CAPS
Leaflet 200



T-HANDLE WRENCH
Leaflet 200

