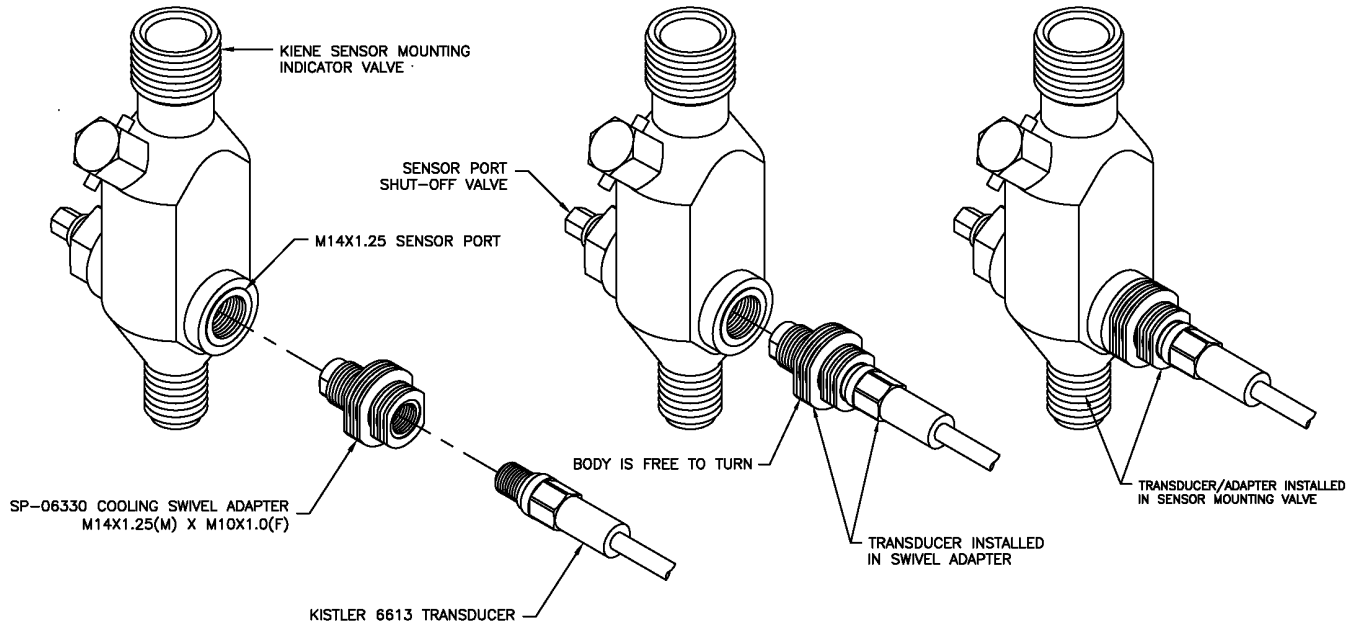


# KIENE

DIESEL ACCESSORIES, INC.

## SP-06330 AND SP-06330-A COOLING PRESSURE SENSOR ADAPTERS

**APPLICATION:** The SP-06330 and SP-06330A are used with Kistler 6613 pressure sensors and Kiene sensor mounting indicator valves. They both provide a cooling function - lowering the sensor temperature. The SP-06330 also provides a swivel function.



The SP-06330 provides cooling of the pressure sensor and a swivel function to ease installation of the sensor. Cooling is provided two ways:

- First, the fins on the SP-06330's body radiate heat to the surrounding air.
- Second, the SP-06330 uses the 6613 sensor's smaller M10 threads and also minimizes the void at the end of the sensor. These both reduce the internal volume near the sensor, reducing the heat transferred to the sensor.

Field reports indicate that the SP-06330 and SP-06330-A provide a temperature reduction of 50 to 100° F at the sensor.

The SP-06330 eases installation and removal of the Kistler 6613 pressure sensors - No more winding the entire sensor assembly during installation - Just thread the sensor into the SP-06330, then use the swiveling body to install the assembly into the valve.

The SP-06330-A Cooling Adapter is a one-piece unit that provides the same cooling function as SP-06330, but does not provide the swivel capability. Dimensionally they are the same.

