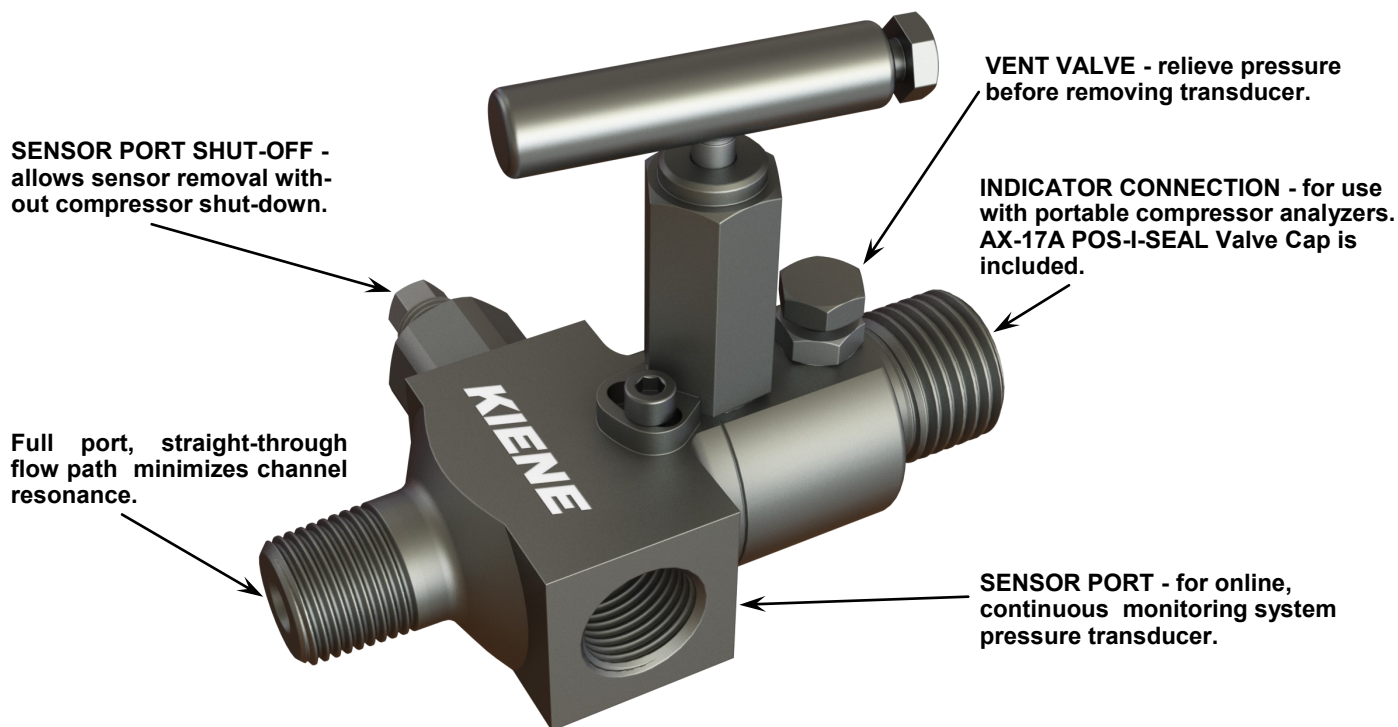


## FOR CONTINUOUS MONITORING COMPRESSOR APPLICATIONS AT HIGHER PRESSURES/TEMPERATURES - UP TO 6000 PSI AND 500 °F

Online, continuous cylinder pressure monitoring systems are valuable tools for maintaining compressor health. *Kiene's Needle-type Sensor Mounting Valves* accommodate these systems on higher pressure and temperature applications including refinery and petro-chemical facilities. They provide a pressure sensor port for continuous pressure measurement and, at the same time, the indicator connection allows use with portable compressor analyzers.



- Based on Kiene's proven KN-20 and KN-40 Series needle-type indicator valves.
- Large 1/4" straight-through flow path for accurate analysis results and minimal channel resonance.
- The integrated sensor port and indicator connection provides a compact design and short flow path.

**ORDERING INFORMATION: PLEASE CONSULT FACTORY FOR PART NUMBERS, DATA SHEETS AND ORDERING INFORMATION.**