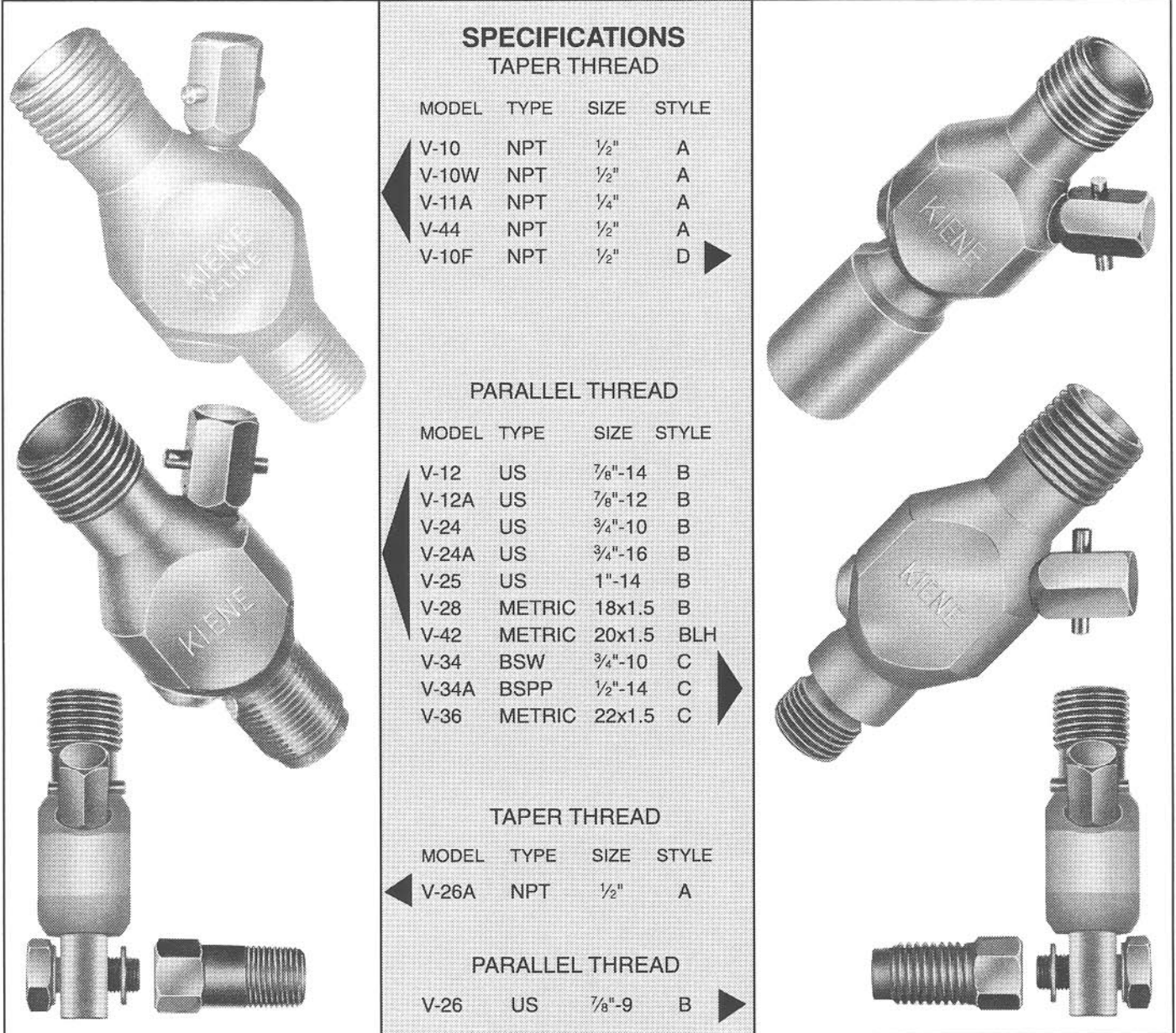


# KIENE®

DIESEL ACCESSORIES, INC.

## V-LINE INDICATOR VALVES STANDARD & EXTENSION TYPES



### SPECIFICATIONS

#### TAPER THREAD

MODEL	TYPE	SIZE	STYLE
V-10	NPT	1/2"	A
V-10W	NPT	1/2"	A
V-11A	NPT	1/4"	A
V-44	NPT	1/2"	A
V-10F	NPT	1/2"	D

#### PARALLEL THREAD

MODEL	TYPE	SIZE	STYLE
V-12	US	7/8"-14	B
V-12A	US	7/8"-12	B
V-24	US	3/4"-10	B
V-24A	US	3/4"-16	B
V-25	US	1"-14	B
V-28	METRIC	18x1.5	B
V-42	METRIC	20x1.5	BLH
V-34	BSW	3/4"-10	C
V-34A	BSPP	1/2"-14	C
V-36	METRIC	22x1.5	C

#### TAPER THREAD

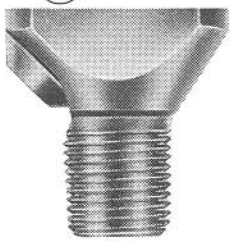
MODEL	TYPE	SIZE	STYLE
V-26A	NPT	1/2"	A

#### PARALLEL THREAD

V-26	US	7/8"-9	B
------	----	--------	---

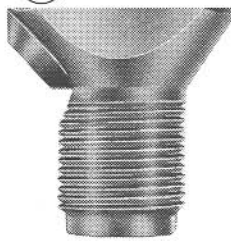
**(A)**



TAPER THREAD  
THREAD SEAL

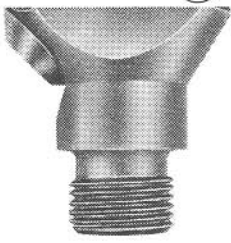
**(B)**

### THREAD STYLES



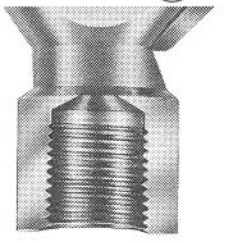
PARALLEL THREAD  
BOTTOM GASKET  
SEAL

**(C)**

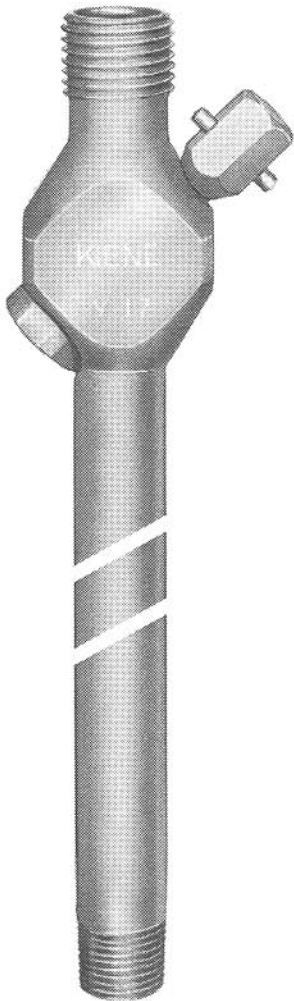


PARALLEL THREAD  
TOP GASKET  
SEAL

**(D)**



TAPER THREAD  
THREAD SEAL



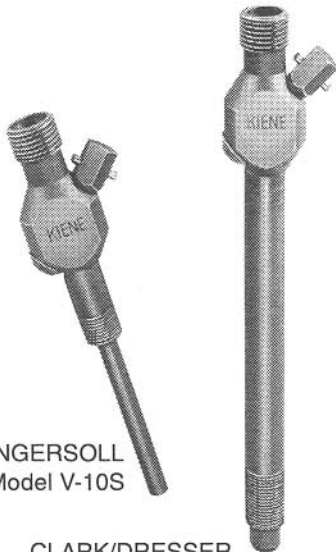
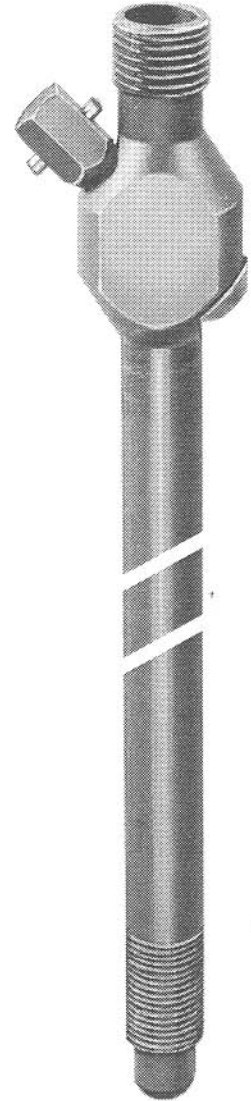
## SPECIFICATIONS

### TAPER THREAD

MODEL	TYPE	SIZE	STYLE	LENGTH
V-17	NPT	1/2"	A	9 3/8"
V-19	NPT	1/2"	A	12"
V-22A	NPT	1/2"	A	16"
V-27	NPT	3/4"	A	5 1/4"
V-32	NPT	3/4"	A	7 1/4"

### PARALLEL THREAD

MODEL	TYPE	SIZE	STYLE	LENGTH
V-12B	US	7/8"-12	B	11 3/4"
V-12C	US	7/8"-9	B	5 1/4"
V-17D	US	3/4"-16	B	9 3/8"
V-18	US	7/8"-9	B	10"
V-32A	US	7/8"-14	B	10"
V-33	US	7/8"-18	C	9"
V-33A	US	7/8"-18	C	12"
V-39	US	7/8"-14	B	11 3/4"



INGERSOLL  
Model V-10S

CLARK/DRESSER  
Model V-39



ELECTRO MOTIVE  
Model V-15

### SPECIAL EXTENSION VALVES

### STANDARD VALVE SPECIFICATIONS

- Overall Length . . . . . 4 3/8"
- Turn Radius . . . . . 1 5/8"
- Indicator Connection . . . 1 1/16"-10  
Whitworth, 7° Indicator Socket
- Valve Stem Cap  
(width across flats) . . . . . 5/8"
- Valve Body  
(width across flats) . . . . . 1 1/4"

**KIENE**<sup>®</sup>

DIESEL ACCESSORIES, INC.

325 So. Fairbanks St. • Addison, Illinois 60101 • (630) 543-5950 • FAX (630) 543-5953

Printed in USA 8/96