

# KIENE

DIESEL ACCESSORIES, INC.

LEAFLET 150

## V-LINE INDICATOR VALVE



### DESIGN FEATURES

**1. STANDARD DESIGN:**

Indicator connection is in-line with the engine thread. Convenient installation and access to indicator connection and valve stem.

**2. INSTALLATION:**

Turn radius (installation clearance) 1 5/8"

**3. FAST ACTION:**

Full open to close with 1 1/4 turns of valve stem.

**4. OPERATION:**

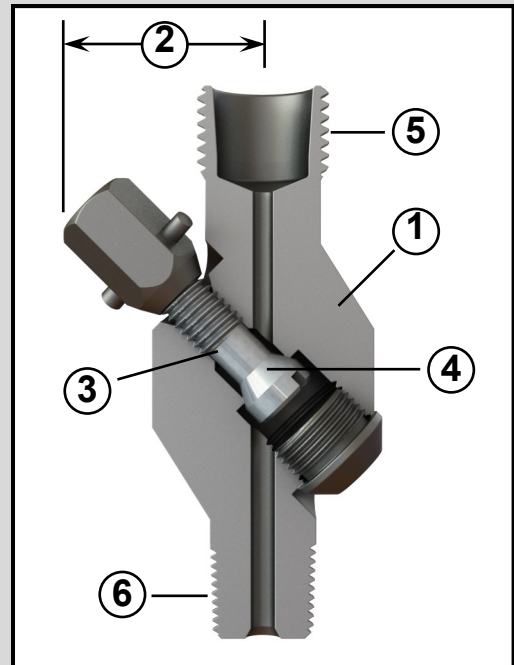
Valve opens against and closes with engine pressure. Eliminates valve opening while engine is in operation.

**5. INDICATOR CONNECTION:**

Standard 1 1/16-10 Whitworth, 7° socket accepts all common analyzers, pressure indicators, and card drawing indicators.

**6. ENGINE THREAD:**

Available in a variety of thread sizes and configurations.



### ORDERING INFORMATION

KIENE V-Line Indicator Valves are manufactured with various thread configurations for installation to specific engines. On the reverse side are applications for V-Line Valves which require a specific thread. In addition Leaflet 152 provides information regarding indicator valve thread configurations that are manufactured by Kiene Diesel. Thread configurations not shown can be manufactured to the customer's requirements.

©TRADEMARK REG. NO 1,244,982

**KIENE**  
DIESEL ACCESSORIES, INC.

Visit our website at [www.kienediesel.com](http://www.kienediesel.com)

E-mail: [info@kienediesel.com](mailto:info@kienediesel.com)

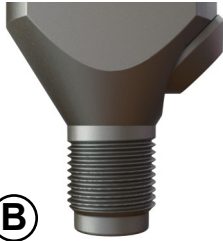
325 South Fairbank Street, Addison, Illinois, 60101 • Telephone: 1-800-264-5950 • Fax: 630-543-5953

7/16/2019

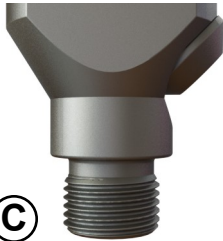
## TYPICAL INDICATOR VALVE APPLICATIONS



**(A)**  
TAPER THREAD  
THREAD SEAL



**(B)**  
PARALLEL THREAD  
BOTTOM GASKET SEAL



**(C)**  
PARALLEL THREAD  
TOP GASKET SEAL



**(D)**  
TAPER THREAD  
THREAD SEAL



**(E)**  
EXTENSION VALVE

Engine Manufacturer	Engine Model	Valve Recommendation	Thread Type
Alco Power Co.	244, 251	A1N-4 V-26	B, * B
Bolnes Motorenfabriek	DNL, V-DNL	V-35	Special
Clark/Dresser	HBA, MA, HMA, HMB, TMB, HLA, BA, TRA, HRA, RA, HBA (WITH INDICATOR PORT ON SIDE OF ENGINE) TLA, TCV, HBA (WITH INDICATOR PORT ON TOP OF ENGINE)	V-10 A1N-2/V-10F	A D, *
Cooper Energy Services	W-330, V-250, V-275, Z-330, JS, LS, GMW, GMWC, GMWK, GMWM, GMYK  KSV, LSV	V-10  V-24	A  B
	GMVA, GMVC, GMXE, GMVH, GMVM, QUAD	V-25	B
Ajax	ALL ENGINES (NOTE: NON-LE ENGINES HAVE AN AX-54 IN HEAD TO ACCEPT A V-24A.)	V-24A	B
Nordberg	FS-13-6, 8, 12, 16 FSGE-13-½ X 16-½ V FSE-13-6, 8, 12, 16  Some Engines	V-3401 V-3402 V-3403  V-10	B, E B, E B, E  A
Superior Engine	80G-SX-6	V-10	A
Electromotive (General Motors)	567, 645, 710	V-15 TC-15 ** V-24A/AX-08SA ***	B, E B B
Delaval (Enterprise)	DGSVR, DMRV, DSRV Some Engines Some Engines	V-10 V-19 V-22A	A A, E A, E
Fairbanks-Morse	38D8-¼, 35F5-¼ ****	V-10 V-17	A A, E
Pielstick Pielstick	PC2.3, PC2.5, PC2.6 PC4.2	A1N-1 V-34	* B, C
Ingersoll	PVG, SVG, TVR, XVG KVS KVR, KVT KVG	V-10 V-10S V-33 A1N-6	A A, E C A, E
Wartsila	32, 46	V-34A	C
Waukesha/Dresser	L-5792-D, F-2896-D, L-6670-D	V-17D	B, E
Worthington	UTC, SUTC, SLHC UTC, SUTC, SLHC	V-12A V-12B	B B, E

\* See Leaflet 155 for valve.  
\*\* See Leaflet TC-15 for valve.

\*\*\* See Leaflet 156 for adapter.  
\*\*\*\* Except Enviro Design versions.

*Kiene Indicator Valves are available for most domestic and foreign engines. If your engine application is not shown, please contact Kiene Diesel Accessories.*