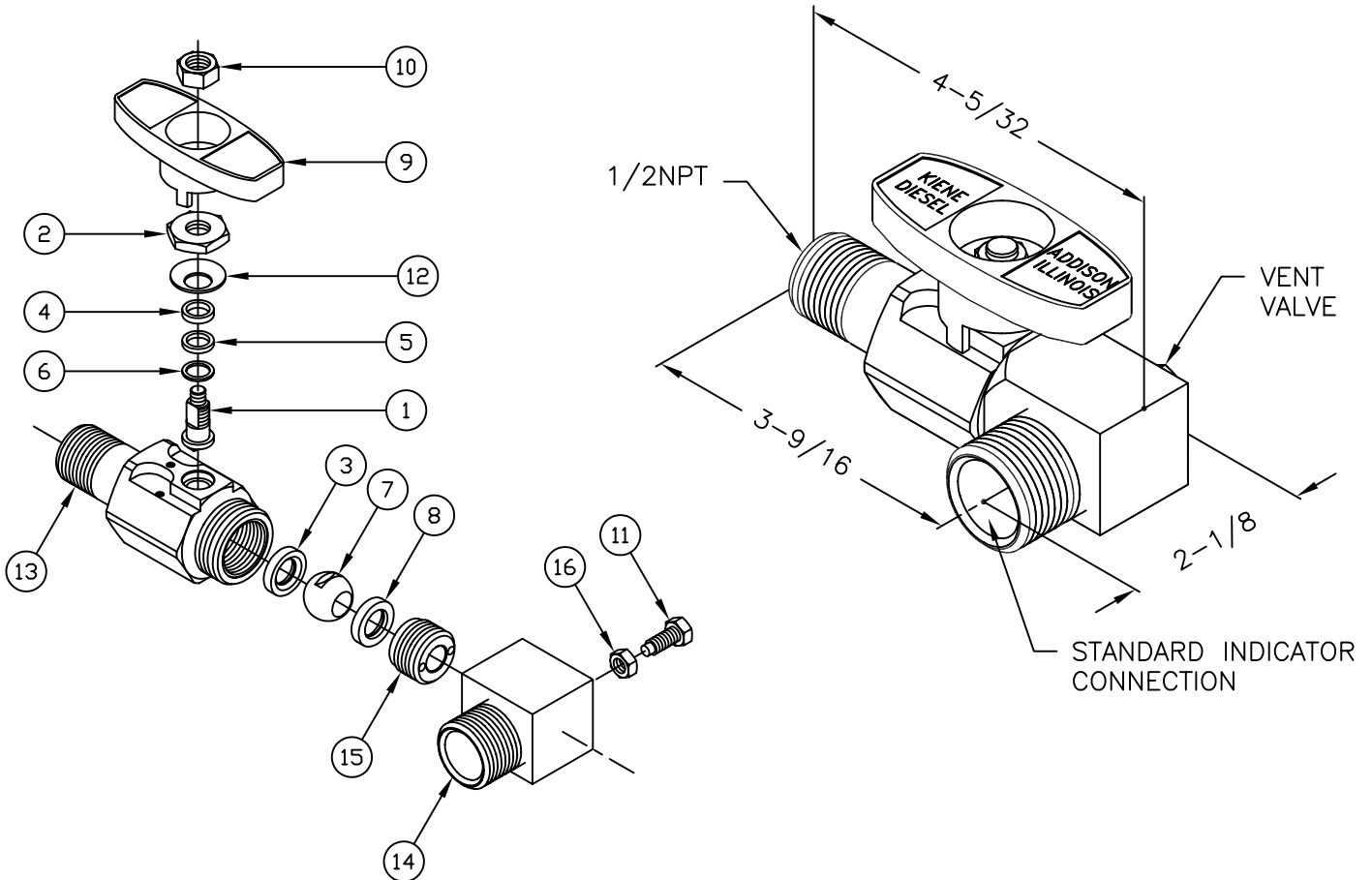


MATERIALS LIST		
ITEM	DESCRIPTION	MATERIAL
1	STEM	ASTM A108 (FINISH: 0.0004-0.0005 HARD CHROME PLATE)
2	HALF NUT	ASTM A108
3	SEAT, DOWNSTREAM	RULON 945 (FILLED PTFE), ASTM D792, ASTM D785, ASTM D638, ASTM D621
4	PACKING GLAND	ASTM A108
5	PACKING	RULON 945 (FILLED PTFE), ASTM D792, ASTM D785, ASTM D638, ASTM D621
6	THRUST WASHER	SAE 841 OIL-IMPREGNATED BRONZE, ASTM B438-83A, GRADE 1, TYPE II
7	BALL	ASTM A108 (FINISH: 0.0004-0.0005 HARD CHROME PLATE)
8	SEAT, UPSTREAM	RULON 945 (FILLED PTFE), ASTM D792, ASTM D785, ASTM D638, ASTM D621
9	HANDLE, LOCKING	ZINC ALLOY #3, ASTM B86 (AG40A)
10	LOCK NUT	STEEL, GRADE 5, ZINC PLATED
11	VENT VALVE	ASTM A108
12	SPRING WASHER	AISI-SAE 1074, DIN 2093
13	VALVE BODY	ASTM A108
14	CONNECTOR	ASTM A108
15	INSERT, BODY	ASTM A108
16	HEX JAM NUT	ASTM A276, A479 304SS

MAXIMUM PRESSURE/TEMPERATURE RATING: 2000PSI @ 250° F.

NOTE: IT IS THE RESPONSIBILITY OF THE END USER OF THIS EQUIPMENT TO CHECK MATERIALS FOR COMPATIBILITY WITH THE PROCESS GAS AND CONDITIONS.

WEIGHT: 1.5#



## KIENE DIESEL ACCESSORIES

325 SOUTH FAIRBANKS STREET, ADDISON, ILLINOIS, 60101

### DATA SHEET

CV-72-90 90° COMPRESSOR ANALYZING BALL VALVE

CURRENT REVISION: \* FILE NAME: CV-72-90 DATA SHEET DRAWING NUMBER: CV-72-90 DATA SHEET