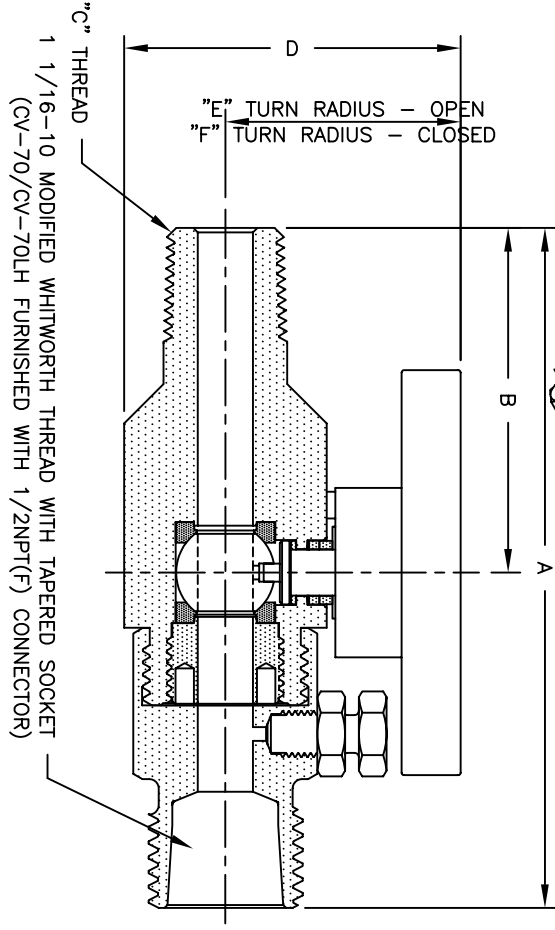
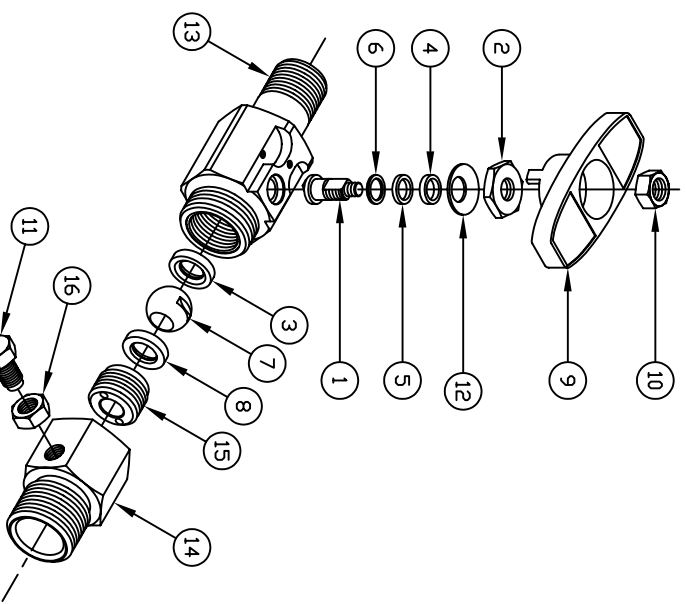


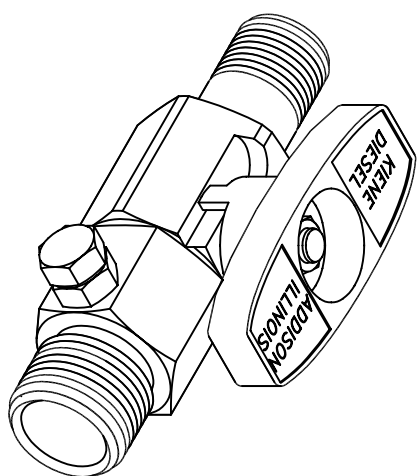
MATERIALS LIST

ITEM	DESCRIPTION	MATERIAL
1	STEM	ASTM A108 (FINISH: 0.0004-0.0005 HARD CHROME PLATED)
2	HALF NUT	ASTM A108
3	SEAT, DOWNSTREAM	RULON 945 (FILLED PTFE), ASTM D792, ASTM D785, ASTM D638, ASTM D621
4	PACKING GLAND	ASTM A108
5	PACKING	RULON 945 (FILLED PTFE), ASTM D792, ASTM D785, ASTM D638, ASTM D621
6	THRUST WASHER	SAE 841 D1L-IMPREGNATED BRONZE, ASTM B438-83A, GRADE 1, TYPE II
7	BALL	ASTM A108 (FINISH: 0.0004-0.0005 HARD CHROME PLATED)
8	SEAT, UPSTREAM	RULON 945 (FILLED PTFE), ASTM D792, ASTM D785, ASTM D638, ASTM D621
9	HANDLE, LOCKING	ZINC ALLOY #3, ASTM B86 (AG40A)
10	LOCK NUT	STEEL, GRADE 5, ZINC PLATED
11	VENT VALVE	ASTM A108
12	SPRING WASHER	AISI-SAE 1074, DIN 2093
13	VALVE BODY	ASTM A108
14	CONNECTOR	ASTM A108
15	INSERT, BODY	ASTM A108
16	HEX JAM NUT	ASTM A276, 4479 304SS



VALVE MODEL	A	B	C	D	E	F	WT. (LBS)
CV-70/CV-70LH	4-1/2	2-11/32	1/2NPT	2-5/16	1-3/4	2-1/8	15
CV-72/CV-72LH	4-5/8	2-11/32	1/2NPT	2-5/16	1-3/4	2-1/8	14
CV-73/CV-73LH	4-5/8	2-11/32	3/4NPT	2-5/16	1-3/4	2-1/8	15
CV-74/CV-74LH	5-5/8	3-11/32	1/2NPT	2-5/16	1-3/4	2-1/8	15

MAXIMUM PRESSURE/TEMPERATURE RATING: 2000 P.S.I. @ 250°F.



NOTE: IT IS THE RESPONSIBILITY OF THE END USER OF THIS EQUIPMENT TO CHECK MATERIALS FOR COMPATIBILITY WITH THE PROCESS GAS AND CONDITIONS.

KIENE DIESEL ACCESSORIES

325 SOUTH FAIRBANKS STREET, ADDISON, ILLINOIS, 60101

DATA SHEET
CV-SERIES COMPRESSOR ANALYZING BALL VALVES