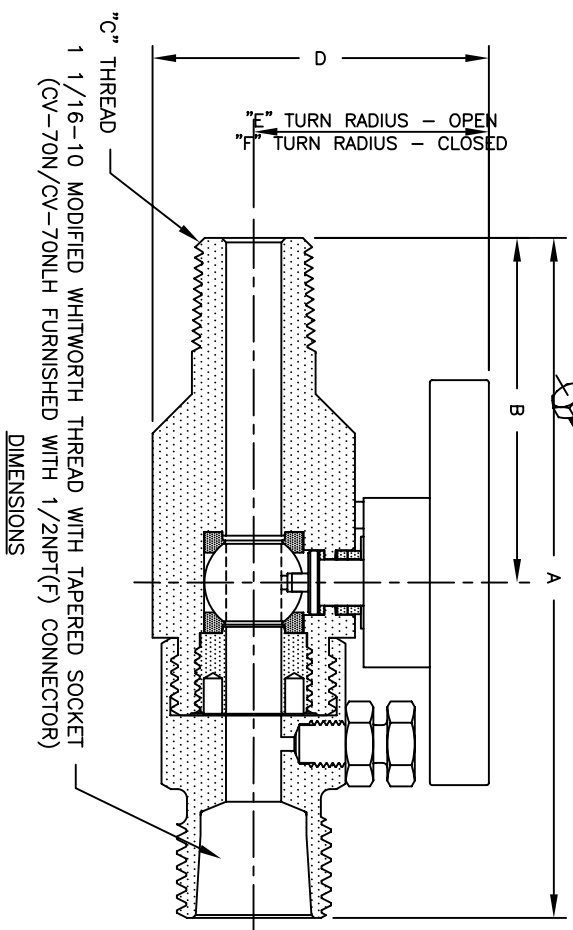
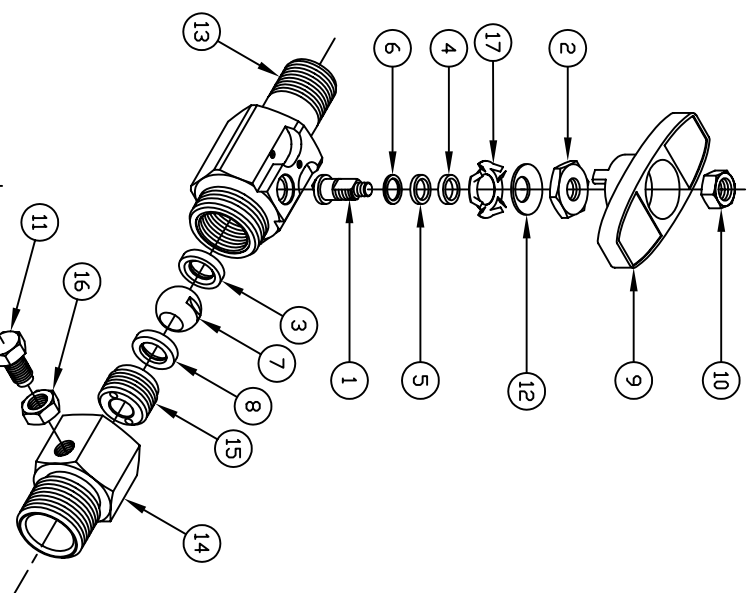


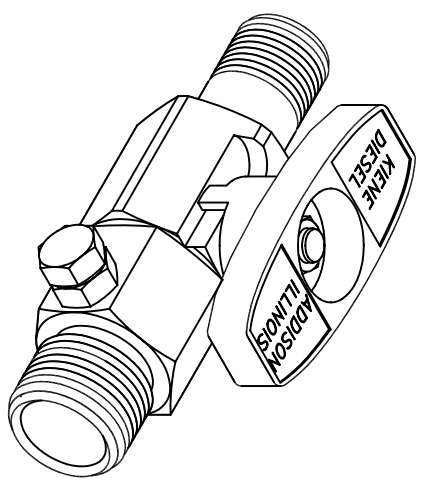
MATERIALS LIST

ITEM	DESCRIPTION	MATERIAL
1	STEM	AISI TYPE 316, ASTM A276, ASTM A479, ASTM S4479
2	HALF NUT	ASTM A108
3	SEAT, DOWNSTREAM	RULON 945 (FILLED PTFE), ASTM D792, ASTM D785, ASTM D638, ASTM D621
4	PACKING GLAND	ASTM A108
5	PACKING	RULON 945 (FILLED PTFE), ASTM D792, ASTM D785, ASTM D638, ASTM D621
6	THRUST WASHER	VIRGIN PEEK
7	BALL	AISI TYPE 316, ASTM A276, ASTM A479, ASTM S4479
8	SEAT, UPSTREAM	RULON 945 (FILLED PTFE), ASTM D792, ASTM D785, ASTM D638, ASTM D621
9	HANDLE, LOCKING	ZINC ALLOY #3, ASTM B86 (AG40A)
10	LOCK NUT	STEEL, GRADE 5, ZINC PLATED
11	VENT VALVE	AISI TYPE 316, ASTM A276, ASTM A479, ASTM S4479
12	SPRING WASHER	AISI-SAE 1074, DIN 2093
13	VALVE BODY	AISI TYPE 316, ASTM A276, ASTM A479, ASTM S4479
14	CONNECTOR	AISI TYPE 316, ASTM A276, ASTM A479, ASTM S4479
15	INSERT, BODY	AISI TYPE 316, ASTM A276, ASTM A479, ASTM S4479
16	HEX JAM NUT	ASTM A276, A479 304SS
17	GRINDING WASHER	ASTM A108



VALVE MODEL	A	B	C	D	E	F	WT. (LBS)
CV-70N/CV-70NLH	4-1/2	2-11/32	1/2NPT	2-5/16	1-3/4	2-1/8	15
CV-72N/CV-72NLH	4-5/8	2-11/32	1/2NPT	2-5/16	1-3/4	2-1/8	14
CV-73N/CV-73NLH	4-5/8	2-11/32	3/4NPT	2-5/16	1-3/4	2-1/8	15

MAXIMUM PRESSURE/TEMPERATURE RATING: 2000 P.S.I. @ 250°F.



NOTE: IT IS THE RESPONSIBILITY OF THE END USER OF THIS EQUIPMENT TO CHECK MATERIALS FOR COMPATIBILITY WITH THE PROCESS GAS AND CONDITIONS.

KIENE DIESEL ACCESSORIES

325 SOUTH FAIRBANKS STREET, ADDISON, ILLINOIS, 60101

DATA SHEET
 CV-SERIES COMPRESSOR ANALYZING BALL VALVES, STAINLESS

CURRENT REVISION: F FILE NAME: CV-73N DATA SHEET DRAWING NUMBER: CV-SERIES STAINLESS DATA SHEET