

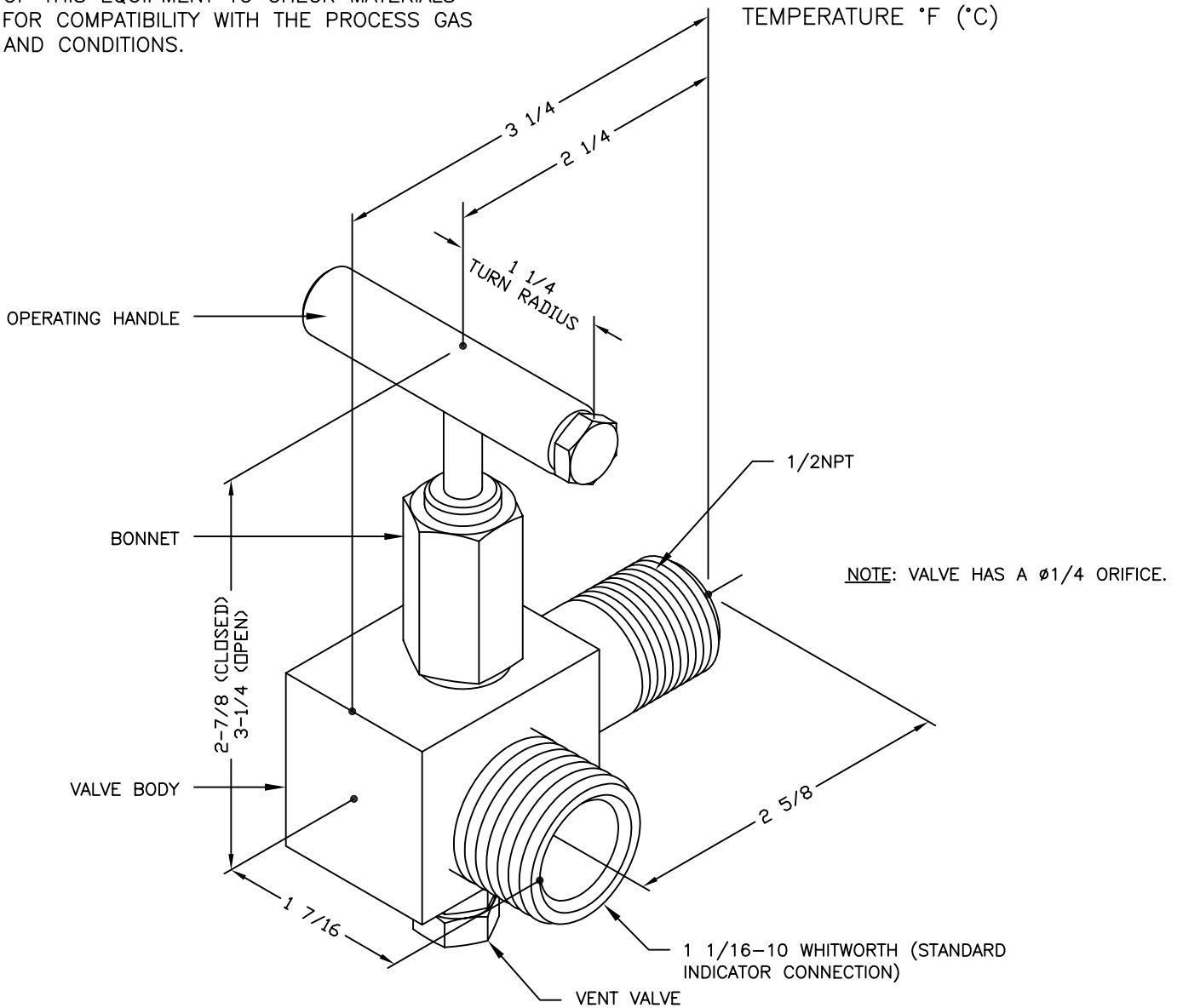
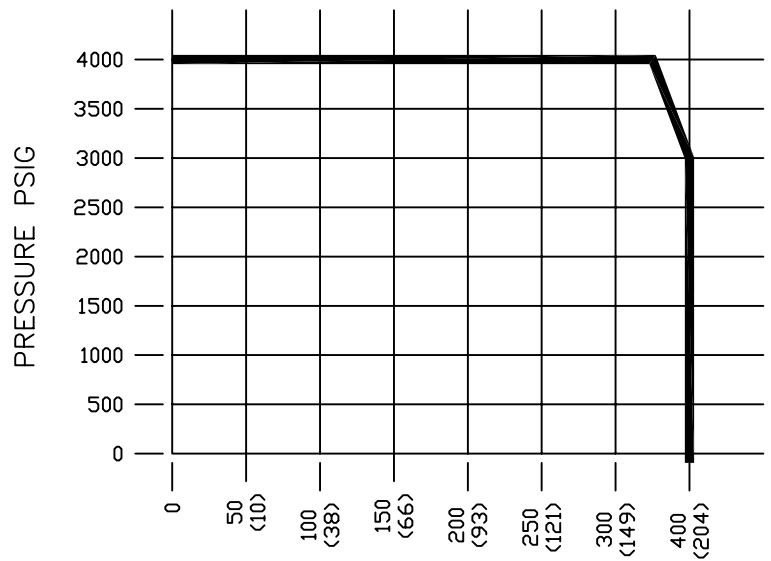
MATERIALS LIST

- VALVE BODY: ASTM A108
- BONNET: ASTM A108
- VALVE STEM: ASTM A276 316
- STEM SEAL: VITON
- SEAT: PEEK
- VENT VALVE: ASTM A108
- OPERATING HANDLE: ASTM A108
- VALVE CAP & PLUG (NOT ILLUSTRATED):
- VALVE CAP: ASTM A108
- VALVE CAP PLUG: ASTM B16

WEIGHT: 1.7 LBS

NOTE:

IT IS THE RESPONSIBILITY OF THE END USER OF THIS EQUIPMENT TO CHECK MATERIALS FOR COMPATIBILITY WITH THE PROCESS GAS AND CONDITIONS.



<h2 style="margin: 0;">KIENE DIESEL ACCESSORIES</h2> <p style="margin: 0;">325 SOUTH FAIRBANKS STREET, ADDISON, ILLINOIS, 60101</p>		
<p style="margin: 0;">DATA SHEET</p> <p style="margin: 0;">90° NEEDLE-TYPE INDICATOR VALVE</p> <p style="margin: 0;">1/2NPT(M), 1/4 ORIFICE, WITH VENT VALVE</p>		
CURRENT REVISION: *	FILE NAME: KN-22-90 DATA SHEET	DRAWING NUMBER: KN-22-90 DATA SHEET