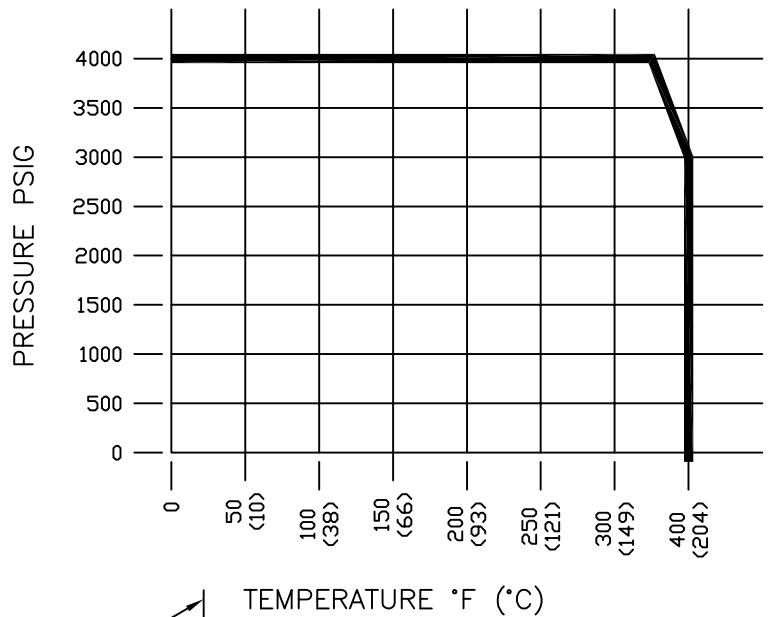


# MATERIALS LIST

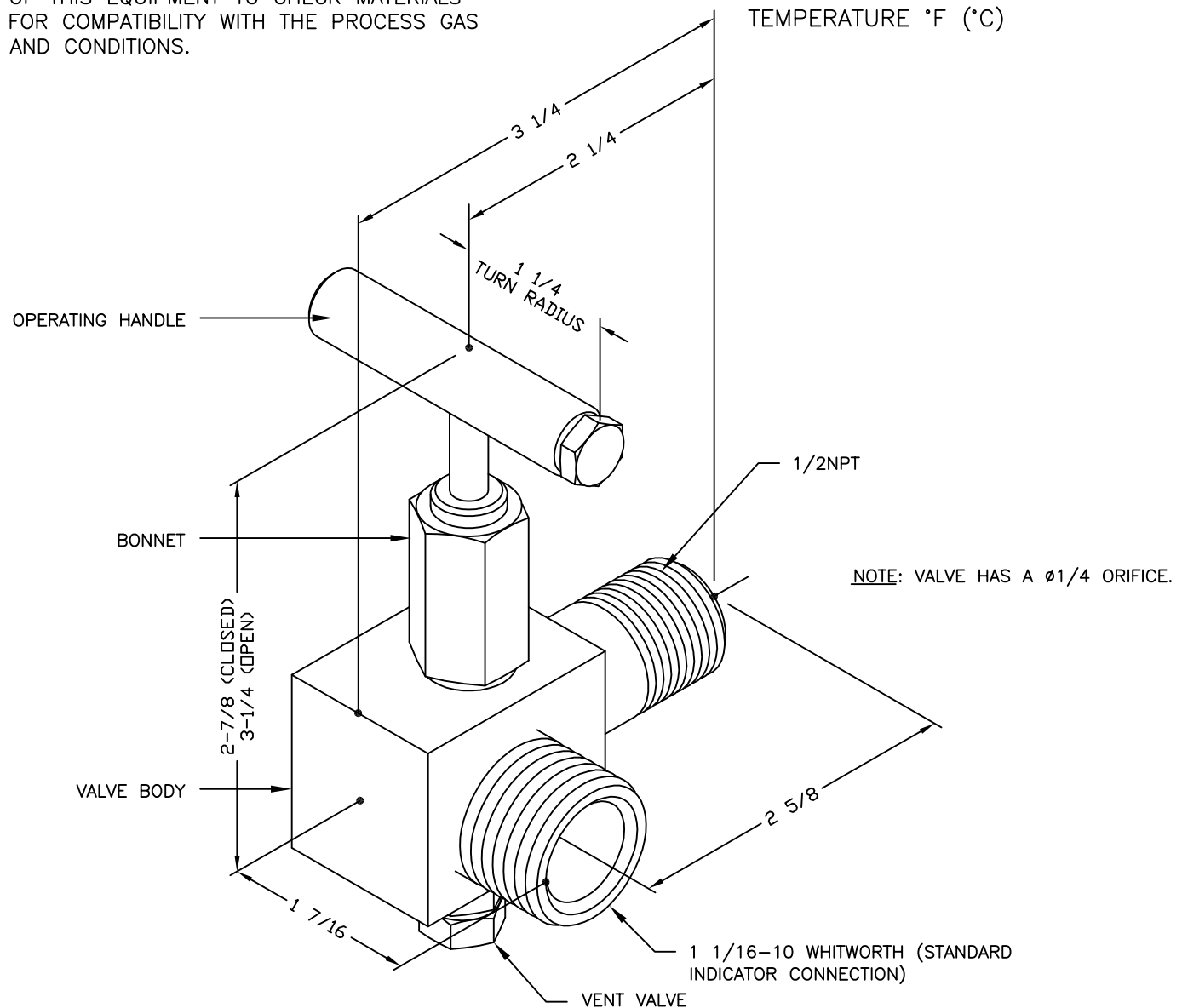
VALVE BODY: ASTM A276, A479 316L  
BONNET: ASTM A276 316  
VALVE STEM: ASTM A276 316  
STEM SEAL: PERFLOURINATED ELASTOMER  
SEAT: PEEK  
VENT VALVE: ASTM A276 316  
OPERATING HANDLE: ASTM A108  
VALVE CAP & PLUG (NOT ILLUSTRATED):  
VALVE CAP: ASTM A108  
VALVE CAP PLUG: ASTM A276 316

WEIGHT: 1.7 LBS



**NOTE:**

IT IS THE RESPONSIBILITY OF THE END USER OF THIS EQUIPMENT TO CHECK MATERIALS FOR COMPATIBILITY WITH THE PROCESS GAS AND CONDITIONS.



## KIENE DIESEL ACCESSORIES

325 SOUTH FAIRBANKS STREET, ADDISON, ILLINOIS, 60101

DATA SHEET - 90° NEEDLE-TYPE INDICATOR VALVE, 316SS CONSTRUCTION, 1/2NPT,  $\phi 1/4$  ORIFICE, WITH VENT VALVE

CURRENT REVISION: \* DATE: 6/8/12 DRAWING NAME: KN-22B-90 DATA SHEET