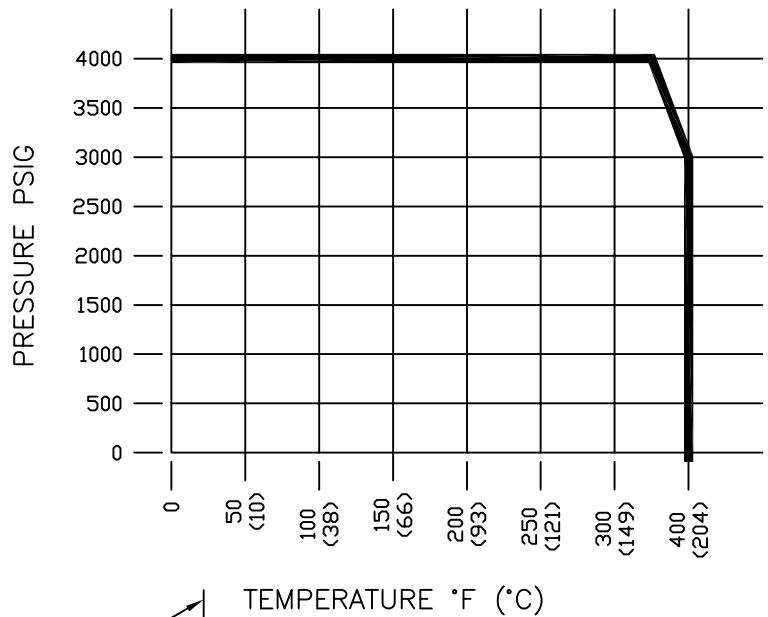


# MATERIALS LIST

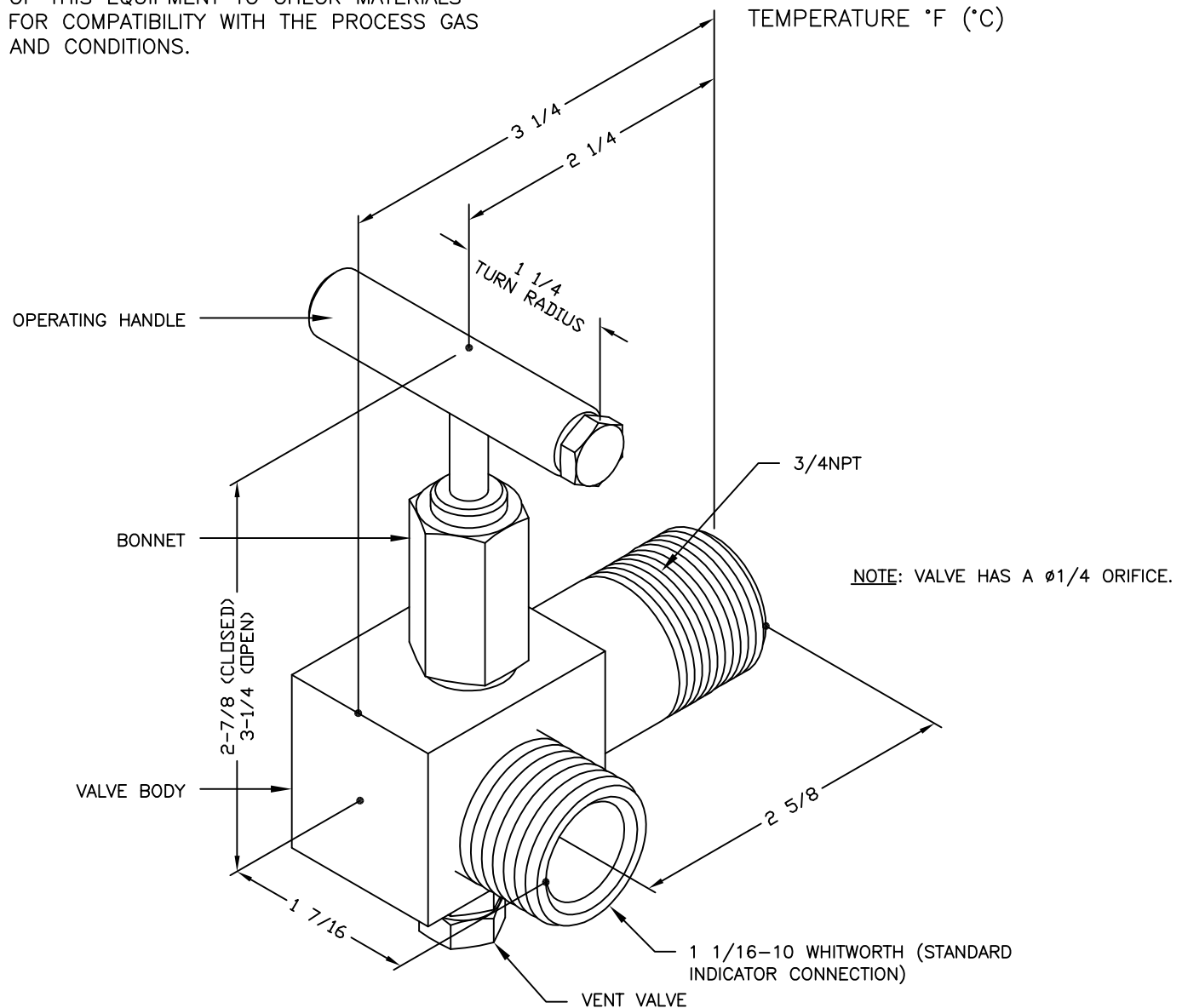
VALVE BODY: ASTM A108  
BONNET: ASTM A108  
VALVE STEM: ASTM A276 316  
STEM SEAL: VITON  
SEAT: PEEK  
VENT VALVE: ASTM A108  
OPERATING HANDLE: ASTM A108  
VALVE CAP & PLUG (NOT ILLUSTRATED):  
VALVE CAP: ASTM A108  
VALVE CAP PLUG: ASTM B16

WEIGHT: 1.7 LBS



NOTE:

IT IS THE RESPONSIBILITY OF THE END USER OF THIS EQUIPMENT TO CHECK MATERIALS FOR COMPATIBILITY WITH THE PROCESS GAS AND CONDITIONS.



## KIENE DIESEL ACCESSORIES

325 SOUTH FAIRBANKS STREET, ADDISON, ILLINOIS, 60101

DATA SHEET - 90° NEEDLE-TYPE INDICATOR VALVE, 3/4NPT,  $\phi 1/4$  ORIFICE, WITH VENT VALVE

CURRENT REVISION: *	DATE: 2/22/13	DRAWING NAME:	KN-23-90 DATA SHEET
---------------------	---------------	---------------	---------------------