

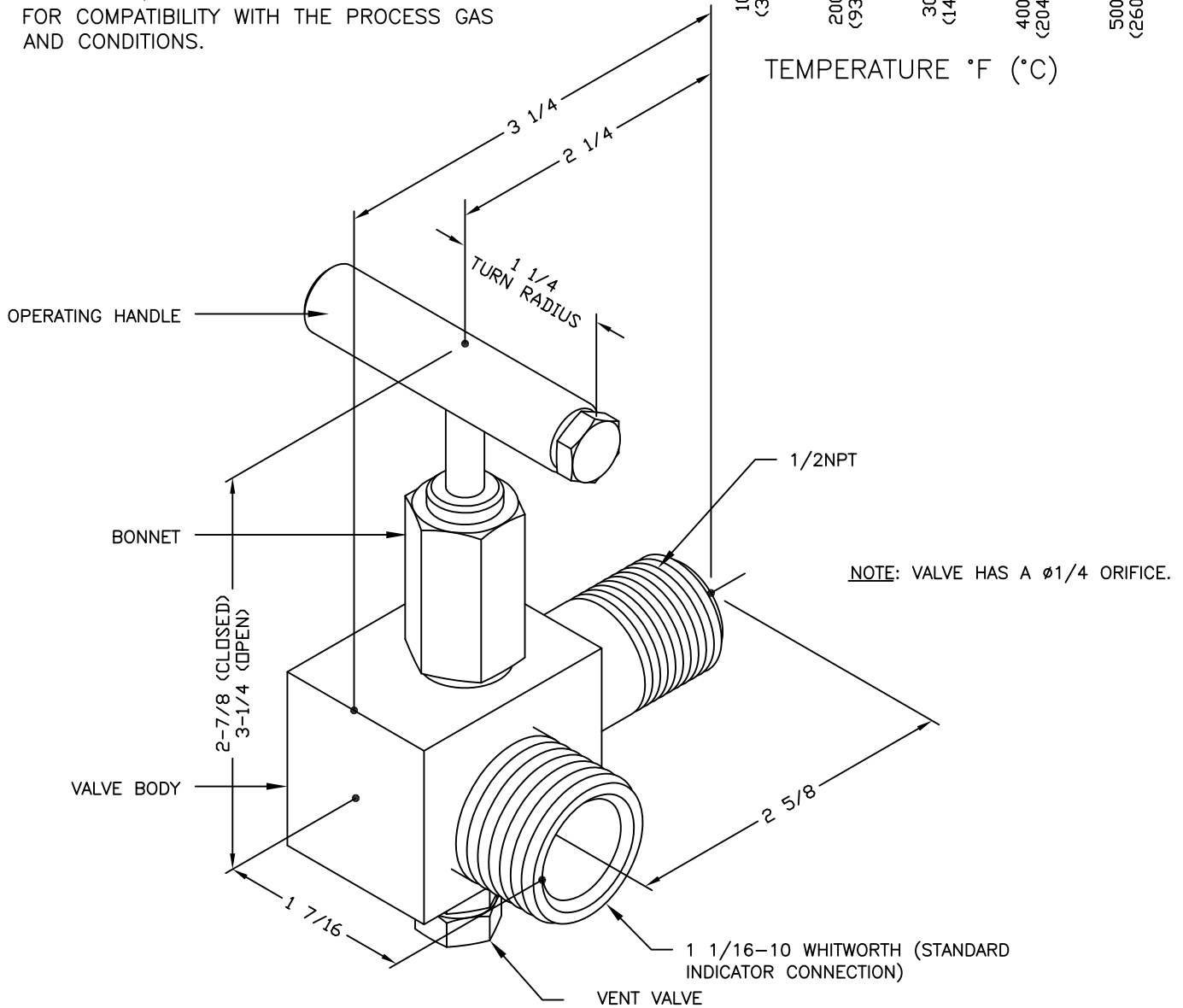
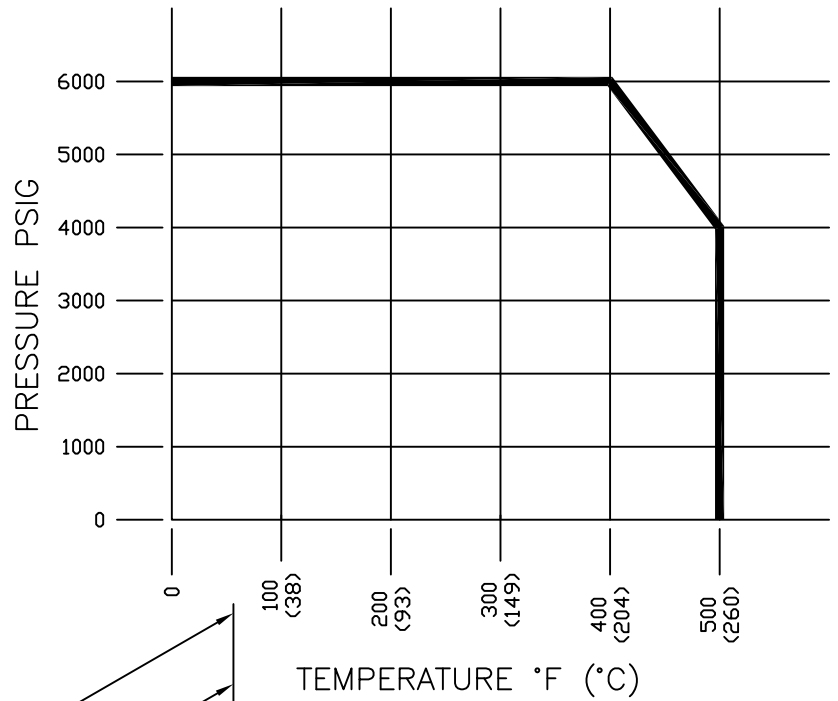
MATERIALS LIST

- VALVE BODY: ASTM A108
- VALVE STEM: ASTM A276 316
- STEM SEAL: VITON
- SEAT: REINFORCED PEEK
- BONNET: ASTM A108
- VENT VALVE: ASTM A108
- OPERATING HANDLE: ASTM A108
- VALVE CAP & PLUG (NOT ILLUSTRATED):
- VALVE CAP: ASTM A108
- VALVE CAP PLUG: ASTM B16

WEIGHT: 1.7 LBS

NOTE:

IT IS THE RESPONSIBILITY OF THE END USER OF THIS EQUIPMENT TO CHECK MATERIALS FOR COMPATIBILITY WITH THE PROCESS GAS AND CONDITIONS.



KIENE DIESEL ACCESSORIES
 325 SOUTH FAIRBANKS STREET, ADDISON, ILLINOIS, 60101

DATA SHEET, 90° NEEDLE-TYPE INDICATOR VALVE,
 CARBON STEEL CONSTRUCTION, 1/2NPT(M) INLET

CURRENT REVISION: *	DATE: 10/14/16	DRAWING:	KN-42-90 DATA SHEET
---------------------	----------------	----------	---------------------