

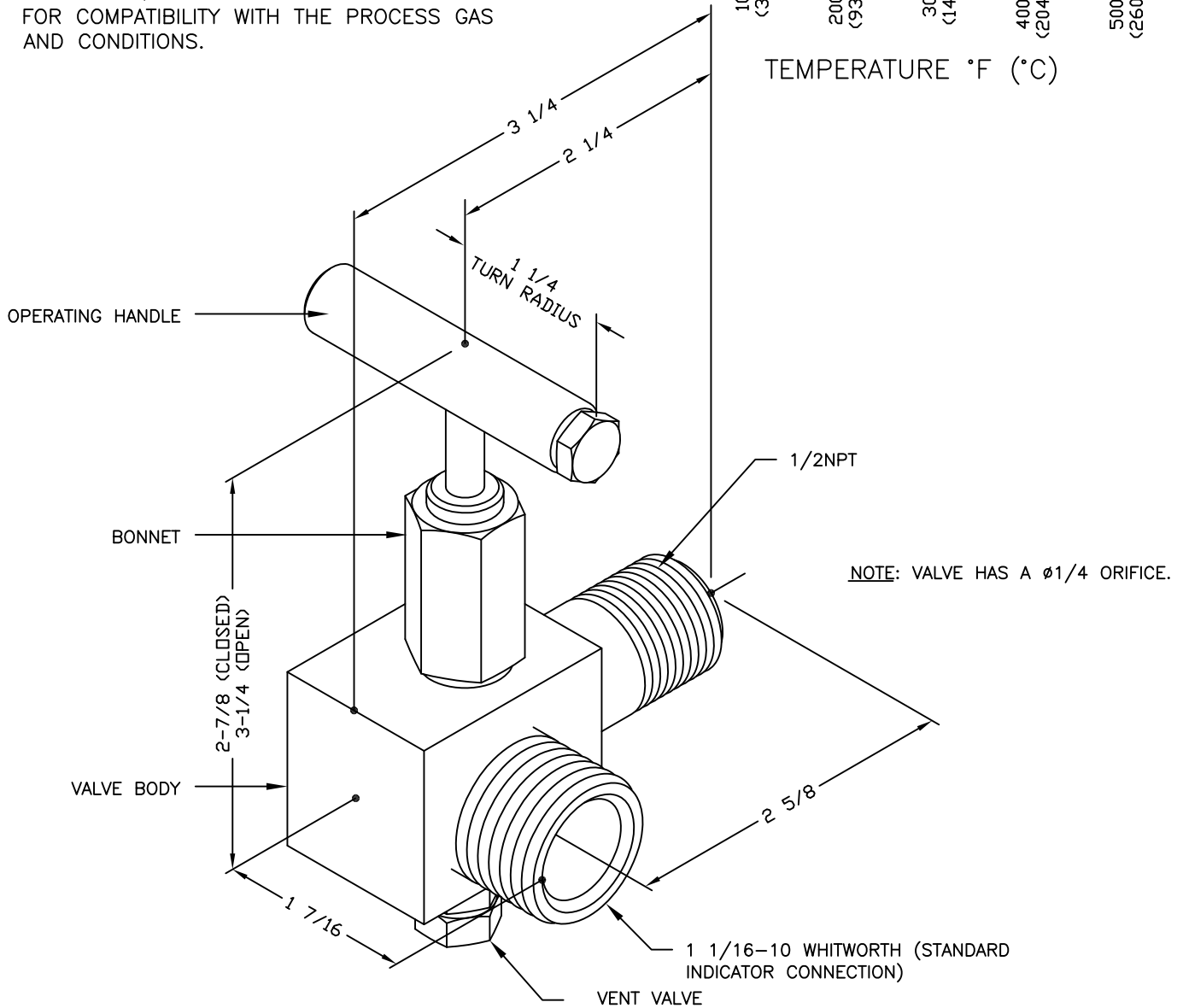
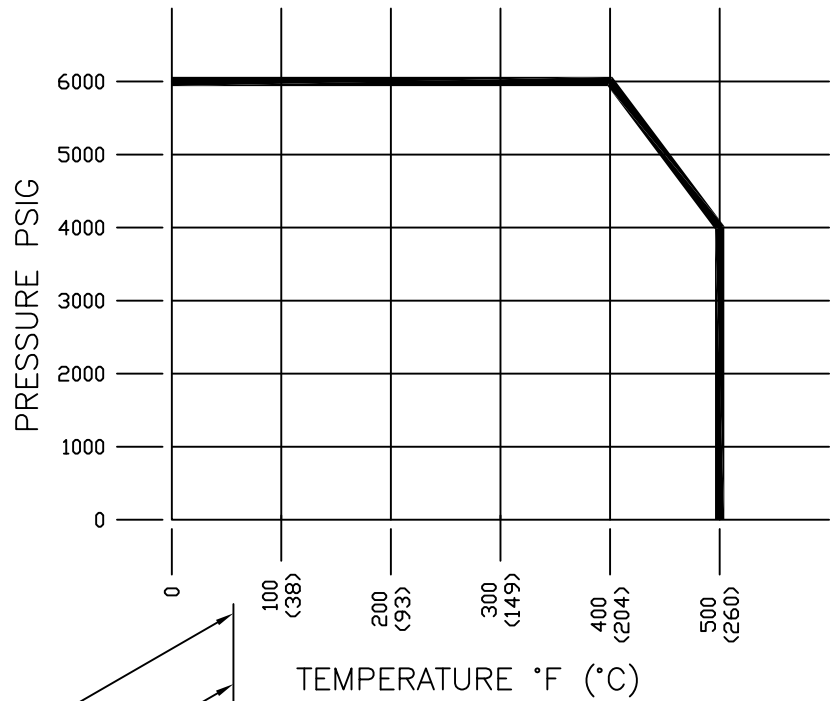
MATERIALS LIST

- VALVE BODY: ASTM A276, A479 316L
- VALVE STEM: ASTM A276 316
- STEM SEAL: PERFLOURINATED ELASTOMER
- SEAT: REINFORCED PEEK
- BONNET: ASTM A276 316
- VENT VALVE: ASTM A276 316
- OPERATING HANDLE: ASTM A108
- VALVE CAP & PLUG (NOT ILLUSTRATED):
- VALVE CAP: ASTM A108
- VALVE CAP PLUG: ASTM A276 316

WEIGHT: 1.7 LBS

NOTE:

IT IS THE RESPONSIBILITY OF THE END USER OF THIS EQUIPMENT TO CHECK MATERIALS FOR COMPATIBILITY WITH THE PROCESS GAS AND CONDITIONS.



KIENE DIESEL ACCESSORIES			
325 SOUTH FAIRBANKS STREET, ADDISON, ILLINOIS, 60101			
DATA SHEET, 90° NEEDLE-TYPE INDICATOR VALVE, STAINLESS STEEL CONSTRUCTION, 1/2NPT(M) INLET			
CURRENT REVISION: *	DATE: 10/14/16	DRAWING:	KN-42B-90 DATA SHEET