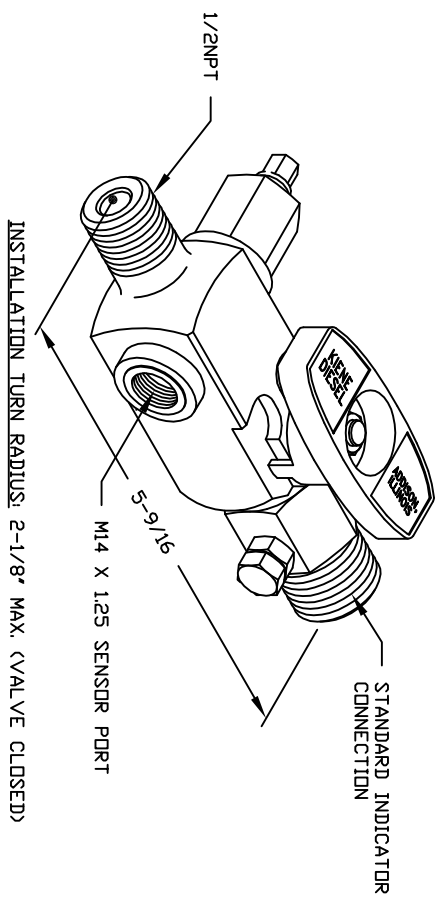


ITEM		DESCRIPTION	MATERIAL
1	STEM	ASTM A108 (FINISH: 0.0004-0.0005 HARD CHROME PLATE)	
2	HALF NUT	ASTM A108	
3	SEAT, DOWNSTREAM	RULON 945 (FILLED PTFE), ASTM D792, ASTM D785, ASTM D638, ASTM D621	
4	PACKING GLAND	ASTM A108	
5	PACKING	RULON 945 (FILLED PTFE), ASTM D792, ASTM D785, ASTM D638, ASTM D621	
6	THRUST WASHER	SAE 841 DIL-IMPREGNATED BRONZE, ASTM B438-83A, GRADE 1, TYPE II	
7	BALL	ASTM A108 (FINISH: 0.0004-0.0005 HARD CHROME PLATE)	
8	SEAT, UPSTREAM	RULON 945 (FILLED PTFE), ASTM D792, ASTM D785, ASTM D638, ASTM D621	
9	HANDLE, LOCKING	ZINC ALLOY #3, ASTM B86 (A940A)	
10	LOCK NUT	STEEL, GRADE 5, ZINC PLATED	
11	VENT VALVE	ASTM A108	
12	SPRING WASHER	ASTI-SAE 1074, DIN 2093	
13	VALVE BODY	ASTM A108	
14	INDICATOR CONNECTION	ASTM A108	
15	INSERT, BODY	ASTM A108	
16	VALVE, SENSOR PORT	ASTI TYPE 303, ASTM A582, COND. A	
17	GLAND, SENSOR PORT	ASTM A108	
18	HEX JAM NUT	ASTM A276, A479 304SS	
19	D-RING	VITON	
20	BACK-UP RING	PTFE	

MATERIALS LIST



MAXIMUM PRESSURE/TEMPERATURE RATING: 2000 P.S.I. @ 250°F.

NOTE: IT IS THE RESPONSIBILITY OF THE END USER OF THIS EQUIPMENT TO CHECK MATERIALS FOR COMPATIBILITY WITH THE PROCESS GAS AND CONDITIONS.

WEIGHT: 2.2 LBS

KIENE DIESEL ACCESSORIES

325 SOUTH FAIRBANKS STREET, ADDISON, ILLINOIS, 60101

DATA SHEET FOR SMCV-10-1
SENSOR MOUNTING COMPRESSOR ANALYZING BALL VALVE

CURRENT REVISION: C	FILE NAME: SMCV-10-1 DATA SHEET	DRAWING NUMBER: SMCV-10-1 DATA SHEET
---------------------	---------------------------------	--------------------------------------