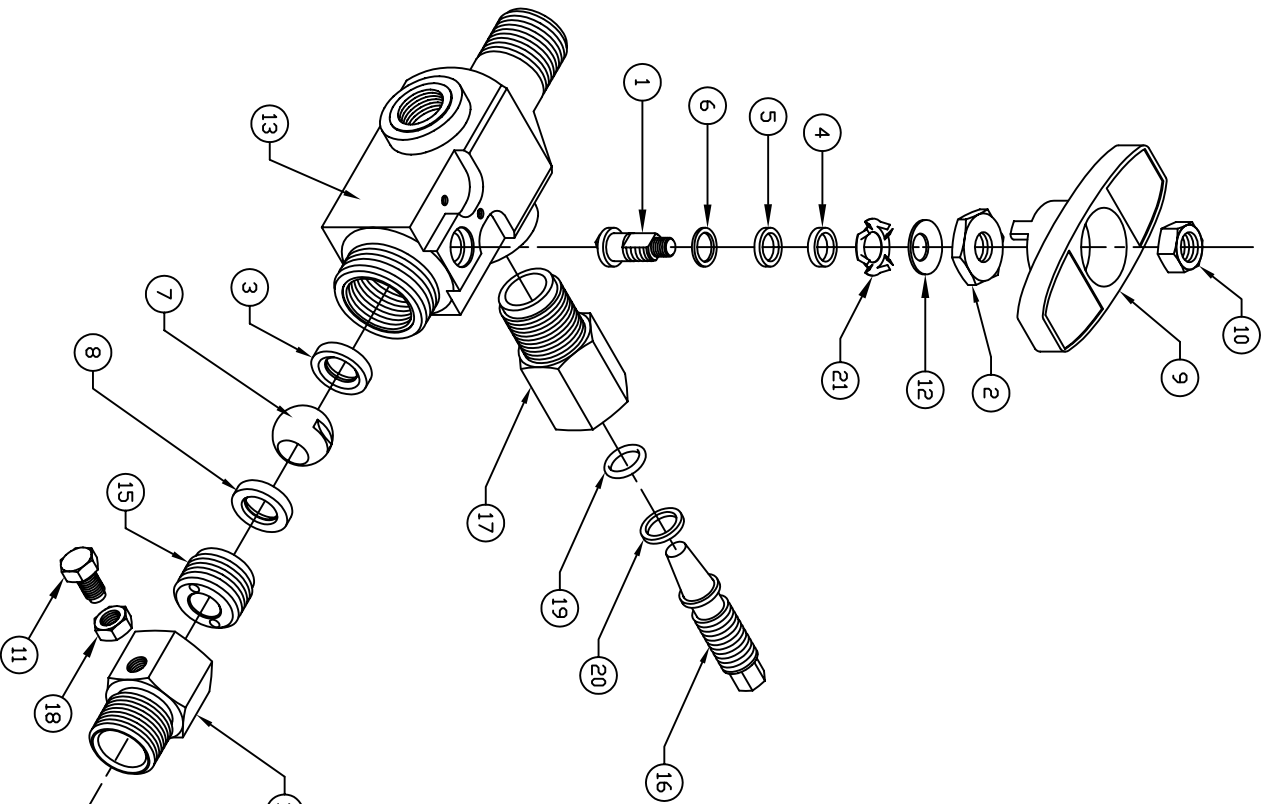


MATERIALS LIST

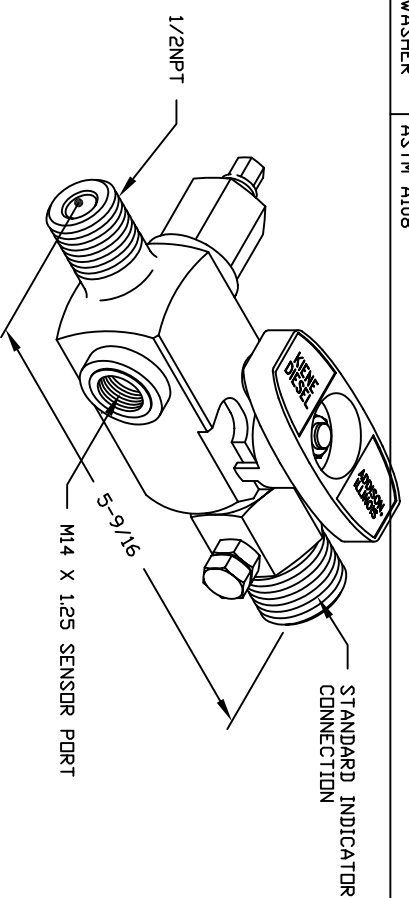
ITEM	DESCRIPTION	MATERIAL
1	STEM	AISI TYPE 316, ASTM A276, ASTM A479, ASTM SA479
2	HALF NUT	ASTM A108
3	SEAT, DOWNSTREAM	RULON 945 (FILLED PTFE), ASTM D792, ASTM D785, ASTM D638, ASTM D621
4	PACKING GLAND	ASTM A108
5	PACKING	RULON 945 (FILLED PTFE), ASTM D792, ASTM D785, ASTM D638, ASTM D621
6	THRUST WASHER	VIRGIN PEEK
7	BALL	AISI TYPE 316, ASTM A276, ASTM A479, ASTM SA479
8	SEAT, UPSTREAM	RULON 945 (FILLED PTFE), ASTM D792, ASTM D785, ASTM D638, ASTM D621
9	HANDLE, LOCKING	ZINC ALLOY #3, ASTM B86 (AG40A)
10	LOCK NUT	STEEL, GRADE 5, ZINC PLATED
11	VENT VALVE	AISI TYPE 316, ASTM A276, ASTM A479, ASTM SA479
12	SPRING WASHER	AISI-SAE 1074, DIN 2093
13	VALVE BODY	ASTM A108
14	INDICATOR CONNECTION	AISI TYPE 316, ASTM A276, ASTM A479, ASTM SA479
15	INSERT, BODY	AISI TYPE 316, ASTM A276, ASTM A479, ASTM SA479
16	VALVE, SENSOR PORT	AISI TYPE 316, ASTM A276, ASTM A479, ASTM SA479
17	GLAND, SENSOR PORT	ASTM A108
18	HEX JAM NUT	ASTM A276, A479 304SS
19	O-RING	PERFLUORINATED ELASTOMER
20	BACK-UP RING	PTFE
21	GROUNDING WASHER	ASTM A108



MAXIMUM PRESSURE/TEMPERATURE RATING: 2000 P.S.I. @ 250°F.

NOTE: IT IS THE RESPONSIBILITY OF THE END USER OF THIS EQUIPMENT TO CHECK MATERIALS FOR COMPATIBILITY WITH THE PROCESS GAS AND CONDITIONS.

WEIGHT: 2.2 LBS



INSTALLATION TURN RADIUS: 2-1/8" MAX. (VALVE CLOSED)

KIENE DIESEL ACCESSORIES

325 SOUTH FAIRBANKS STREET, ADDISON, ILLINOIS, 60101

DATA SHEET FOR SMCV-10-1N
 SENSOR MOUNTING COMPRESSOR ANALYZING BALL VALVE