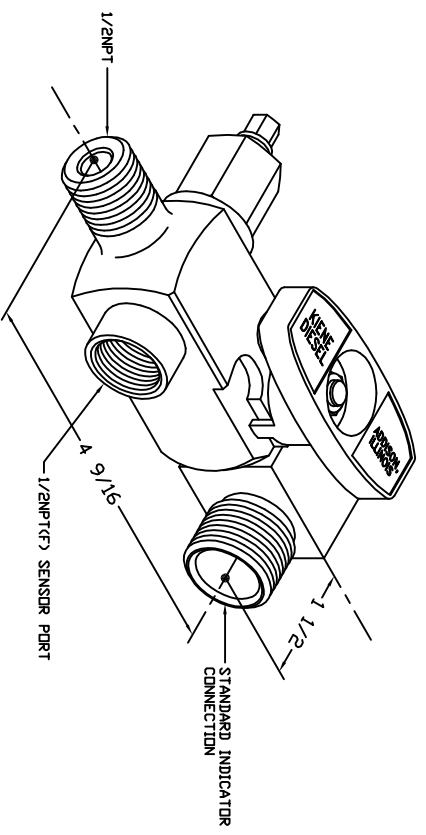


MATERIALS LIST		MATERIAL
ITEM	DESCRIPTION	
1	STEM	ASTM A108 (FINISH: 0.0004-0.0005 HARD CHROME PLATE)
2	HALF NUT	ASTM A108
3	SEAT, DOWNSTREAM	RULON 945 (FILLED PTFE), ASTM D792, ASTM D785, ASTM D638, ASTM D621
4	PACKING GLAND	ASTM A108
5	PACKING	RULON 945 (FILLED PTFE), ASTM D792, ASTM D785, ASTM D638, ASTM D621
6	THRUST WASHER	SAE 841 DIL-IMPREGNATED BRONZE, ASTM B438-83A, GRADE 1, TYPE II
7	BALL	ASTM A108 (FINISH: 0.0004-0.0005 HARD CHROME PLATE)
8	SEAT, UPSTREAM	RULON 945 (FILLED PTFE), ASTM D792, ASTM D785, ASTM D638, ASTM D621
9	HANDLE, LOCKING	ZINC ALLOY #3, ASTM B86 (A640A)
10	LOCK NUT	STEEL, GRADE 5, ZINC PLATED
11	VENT VALVE	ASTM A108
12	SPRING WASHER	AIISI-SAE 1074, DIN 2093
13	VALVE BODY	ASTM A108
14	INDICATOR CONNECTION	ASTM A108
15	INSERT, BODY	ASTM A108
16	VALVE, SENSOR PORT	AIISI TYPE 303, ASTM A582, COND. A
17	GLAND, SENSOR PORT	ASTM A108
18	HEX JAM NUT	ASTM A276, A479 304SS
19	D-RING	VITON
20	BACK-UP RING	PTFE

MAXIMUM PRESSURE/TEMPERATURE RATING: 2000 P.S.I. @ 250°F.

NOTE: IT IS THE RESPONSIBILITY OF THE END USER OF THIS EQUIPMENT TO CHECK MATERIALS FOR COMPATIBILITY WITH THE PROCESS GAS AND CONDITIONS.

WEIGHT: 2.2 LBS



KIENE DIESEL ACCESSORIES

325 SOUTH FAIRBANKS STREET, ADDISON, ILLINOIS, 60101

DATA SHEET FOR SMCV-10-5-90
 SENSOR MOUNTING COMPRESSOR ANALYZING BALL VALVE

CURRENT REVISION: B FILE NAME: SMCV-10-5-90 DATA SHEET DRAWING NUMBER: SMCV-10-5-90 DATA SHEET