

TEMPERATURE °F (°C)

MATERIALS LIST

VALVE BODY: ASTM A108

BONNET: ASTM A108

STEM: ASTM A276 A479 316SS

STEM SEAL: VITON

SEAT: PEEK

VENT VALVE: ASTM A108

SENSOR SHUT-OFF VALVE: ASTM A276 303SE SS

SHUT-OFF VALVE GLAND: 4140CF

SHUT-OFF VALVE SEAL: VITON

HANDLE: ASTM A108

VALVE CAP & PLUG:

VALVE CAP: ASTM A108

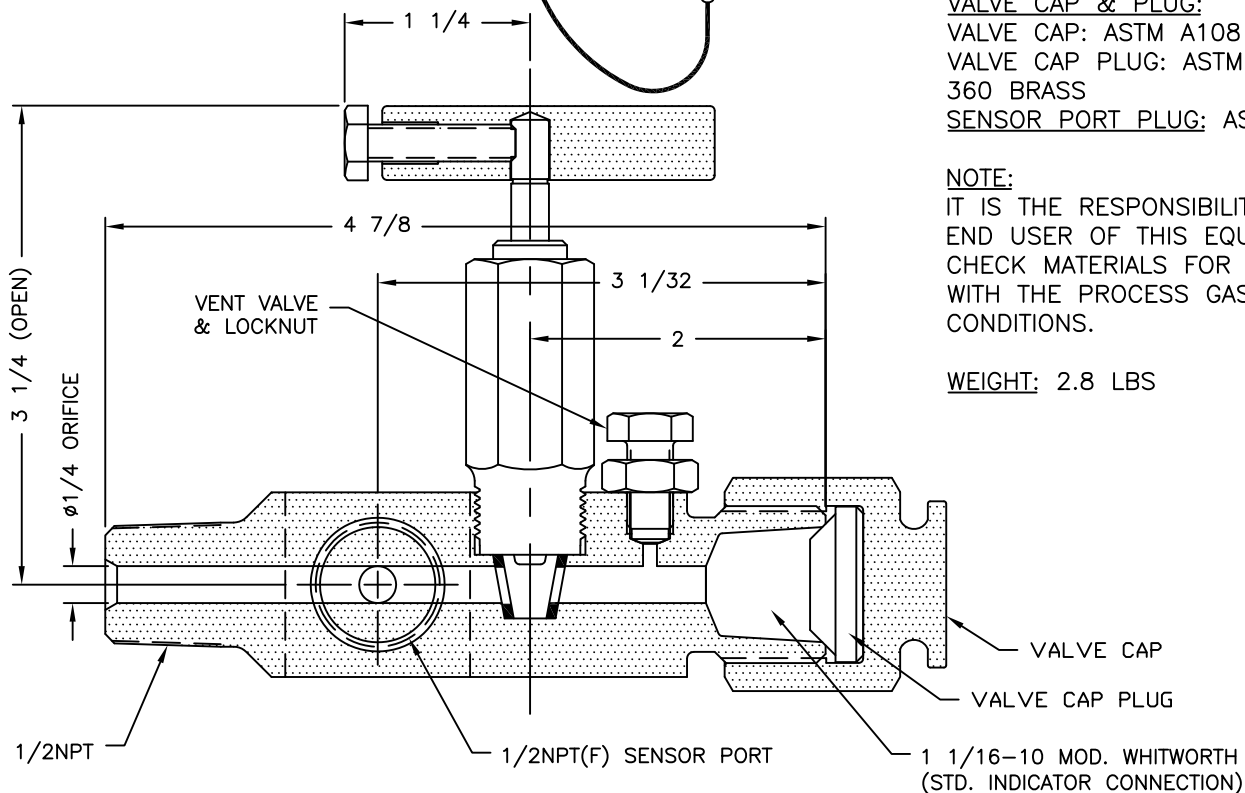
VALVE CAP PLUG: ASTM B16 ALLOY 360 BRASS

SENSOR PORT PLUG: ASTM A108

NOTE:

IT IS THE RESPONSIBILITY OF THE END USER OF THIS EQUIPMENT TO CHECK MATERIALS FOR COMPATIBILITY WITH THE PROCESS GAS AND CONDITIONS.

WEIGHT: 2.8 LBS



SENSOR PORT PLUG NOT ILLUSTRATED

KIENE DIESEL ACCESSORIES

325 SOUTH FAIRBANKS STREET, ADDISON, ILLINOIS, 60101

NEEDLE-TYPE SENSOR MOUNTING INDICATOR VALVE
1/4 ORIFICE, 1/2NPT(M), 1/2NPT(F) SENSOR PORT

CURRENT REVISION: D FILE NAME: SP-06264-A DATA SHEET DRAWING NUMBER: SP-06264-A DATA SHEET