

MATERIALS LIST

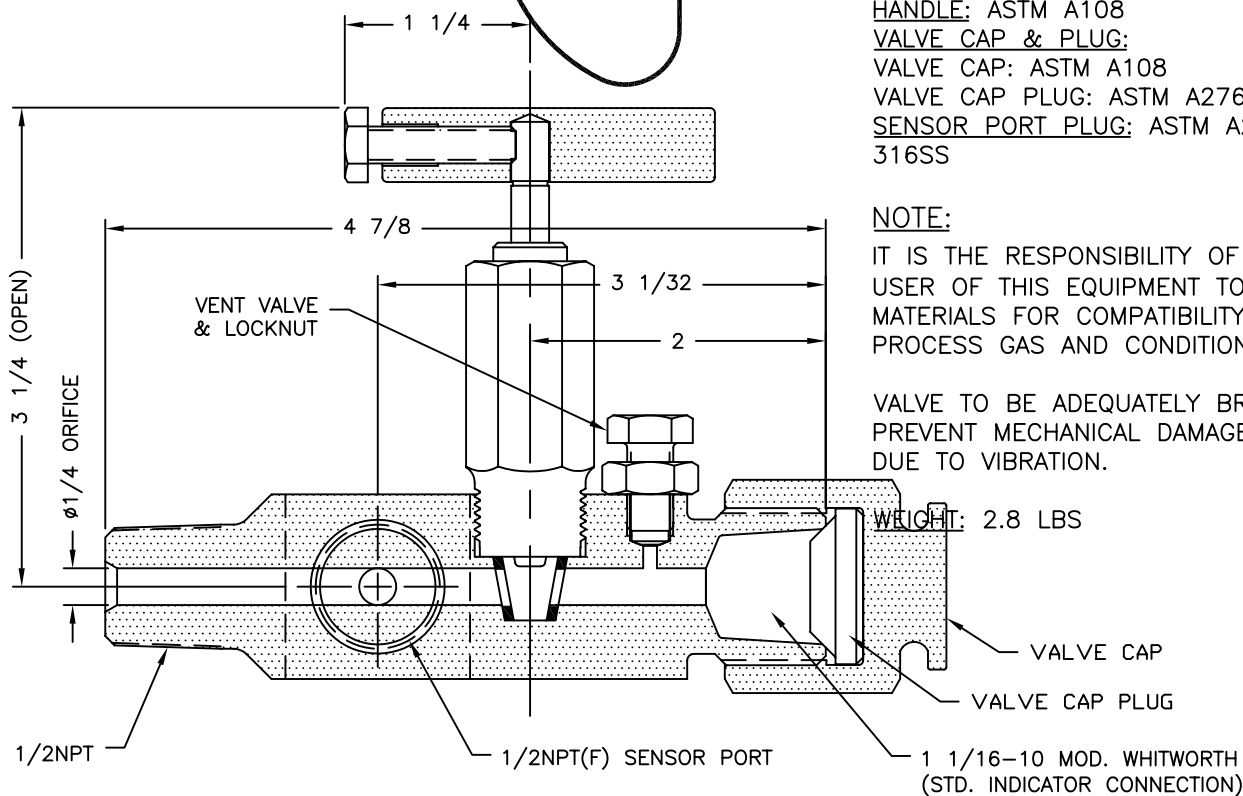
- VALVE BODY: ASTM A276 A479 316SS
- BONNET: ASTM A276 A479 316SS
- STEM: ASTM A276 A479 316SS
- STEM SEAL: PERFLOURINATED ELASTOMER
- SEAT: PEEK
- VENT VALVE: ASTM A276 A479 316SS
- SENSOR SHUT-OFF VALVE: ASTM A276 A479 316SS
- SHUT-OFF VALVE GLAND: ASTM A108
- SHUT-OFF VALVE SEAL: PERFLOURINATED ELASTOMER
- HANDLE: ASTM A108
- VALVE CAP & PLUG:
- VALVE CAP: ASTM A108
- VALVE CAP PLUG: ASTM A276 A479 316SS
- SENSOR PORT PLUG: ASTM A276 A479 316SS

NOTE:

IT IS THE RESPONSIBILITY OF THE END USER OF THIS EQUIPMENT TO CHECK MATERIALS FOR COMPATIBILITY WITH THE PROCESS GAS AND CONDITIONS.

VALVE TO BE ADEQUATELY BRACED TO PREVENT MECHANICAL DAMAGE OR DAMAGE DUE TO VIBRATION.

WEIGHT: 2.8 LBS



SENSOR PORT PLUG NOT ILLUSTRATED

KIENE DIESEL ACCESSORIES

325 SOUTH FAIRBANKS STREET, ADDISON, ILLINOIS, 60101

NEEDLE-TYPE SENSOR MOUNTING INDICATOR VALVE
1/4 ORIFICE, 1/2NPT(M), 1/2NPT(F) SENSOR PORT