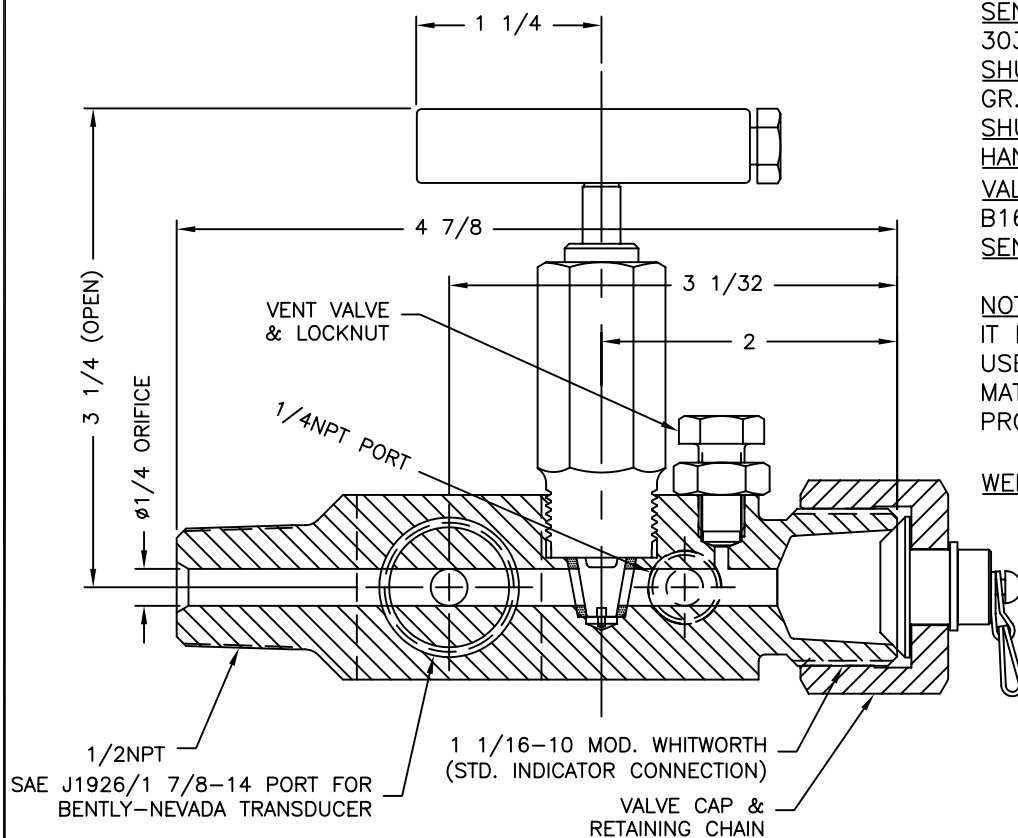


MATERIALS LIST

- VALVE BODY: ASTM A108
- BONNET: ASTM A108
- STEM: ASTM A276 A479 316SS
- STEM SEAL: VITON
- SEAT: PEEK
- VENT VALVE: ASTM A108
- SENSOR SHUT-OFF VALVE: ASTM A276 303SE SS
- SHUT-OFF VALVE GLAND: ASTM A193 GR. B7 4140
- SHUT-OFF VALVE SEAL: VITON
- HANDLE: ASTM A108
- VALVE CAP & PLUG: ASTM A108/ASTM B16 ALLOY 360 BRASS
- SENSOR PORT PLUG: ASTM A108

NOTE:
IT IS THE RESPONSIBILITY OF THE END USER OF THIS EQUIPMENT TO CHECK MATERIALS FOR COMPATIBILITY WITH THE PROCESS GAS AND CONDITIONS.

WEIGHT: 2.7#



SENSOR PORT PLUG NOT ILLUSTRATED

KIENE DIESEL ACCESSORIES

325 SOUTH FAIRBANKS STREET, ADDISON, ILLINOIS, 60101

NEEDLE-TYPE SENSOR MOUNTING VALVE
1/4 ORIFICE, 1/2NPT(M) X STD. INDICATOR CONNECTION

CURRENT REVISION: F FILE NAME: SP6267DS DRAWING NUMBER: SP-06267 DATA SHEET