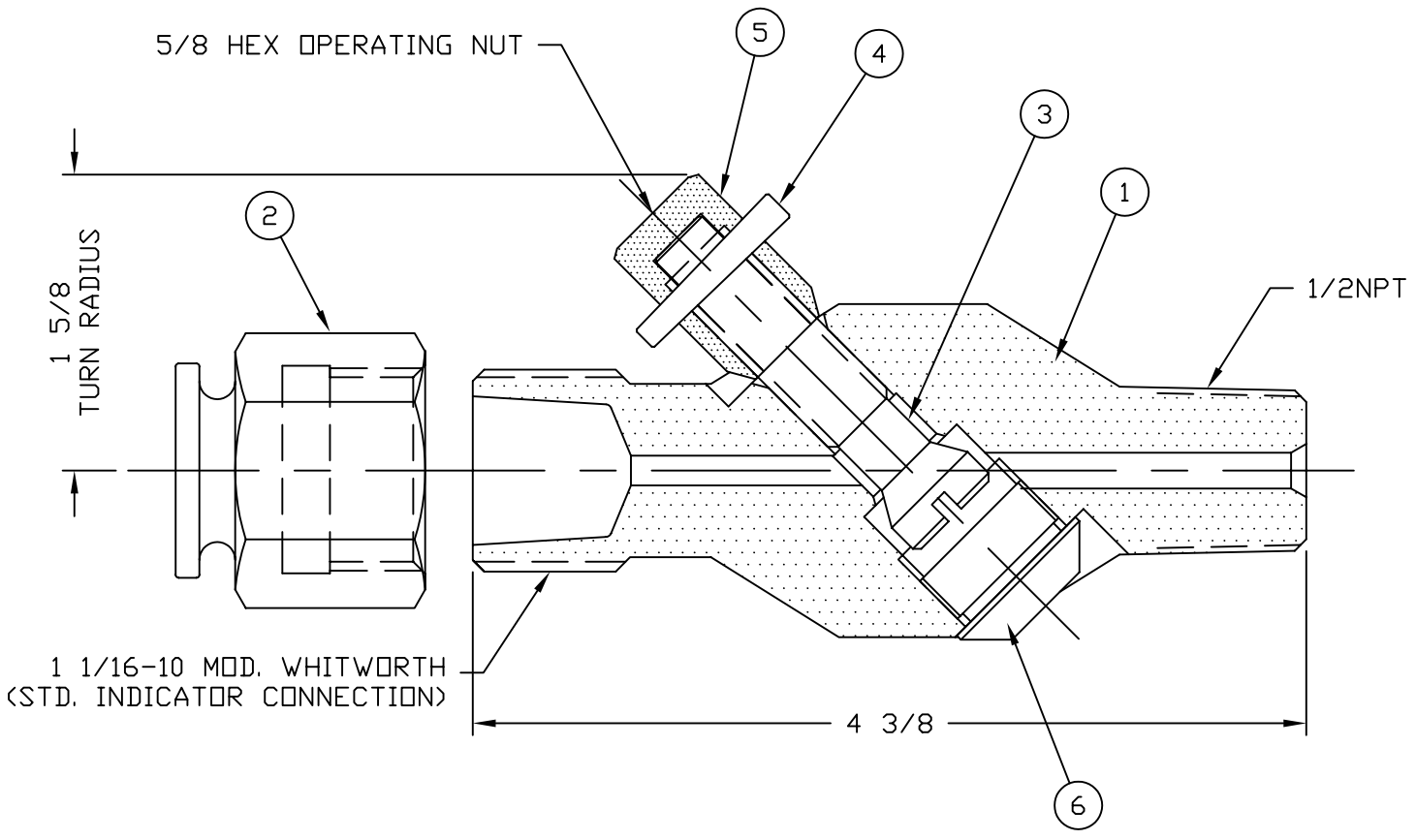


MATERIALS LIST		
ITEM	DESCRIPTION	MATERIAL
1	VALVE BODY	TYPE 304 S.S., ASTM A-276, ASTM A-479, AMS 5639, QQ-S-763, MIL-S-7720
2	VALVE CAP	TYPE 316 S.S., ASTM A-276, ASTM A-479, AMS 5648, QQ-S-763
3	VALVE STEM	TYPE 304 S.S., ASTM A-276, ASTM A-479, AMS 5639, QQ-S-763, MIL-S-7720
4	TAPER PIN	TYPE 303 S.S., ASTM A-581, ASTM A-582, AMS 5640
5	CAP NUT	TYPE 304 S.S., ASTM A-276, ASTM A-479, AMS 5639, QQ-S-763, MIL-S-7720
6	CAP PLUG	TYPE 304 S.S., ASTM A-276, ASTM A-479, AMS 5639, QQ-S-763, MIL-S-7720



PRESSURE/TEMPERATURE RATING:

V-LINE VALVES ARE SUITABLE FOR SERVICE UP TO 3000 P.S.I. AT 800 DEGREES F.;

NOTE:

IT IS THE RESPONSIBILITY OF THE END USER OF THIS EQUIPMENT TO CHECK MATERIALS FOR COMPATIBILITY WITH THE PROCESS GAS AND CONDITIONS.

KIENE DIESEL ACCESSORIES
 325 SOUTH FAIRBANKS STREET, ADDISON, ILLINOIS, 60101

DATA SHEET
 V-10B INDICATOR VALVE

CURRENT REVISION: A	FILE NAME: V-10B DATA SHEET	DRAWING NUMBER: V-10B DATA SHEET
---------------------	-----------------------------	----------------------------------