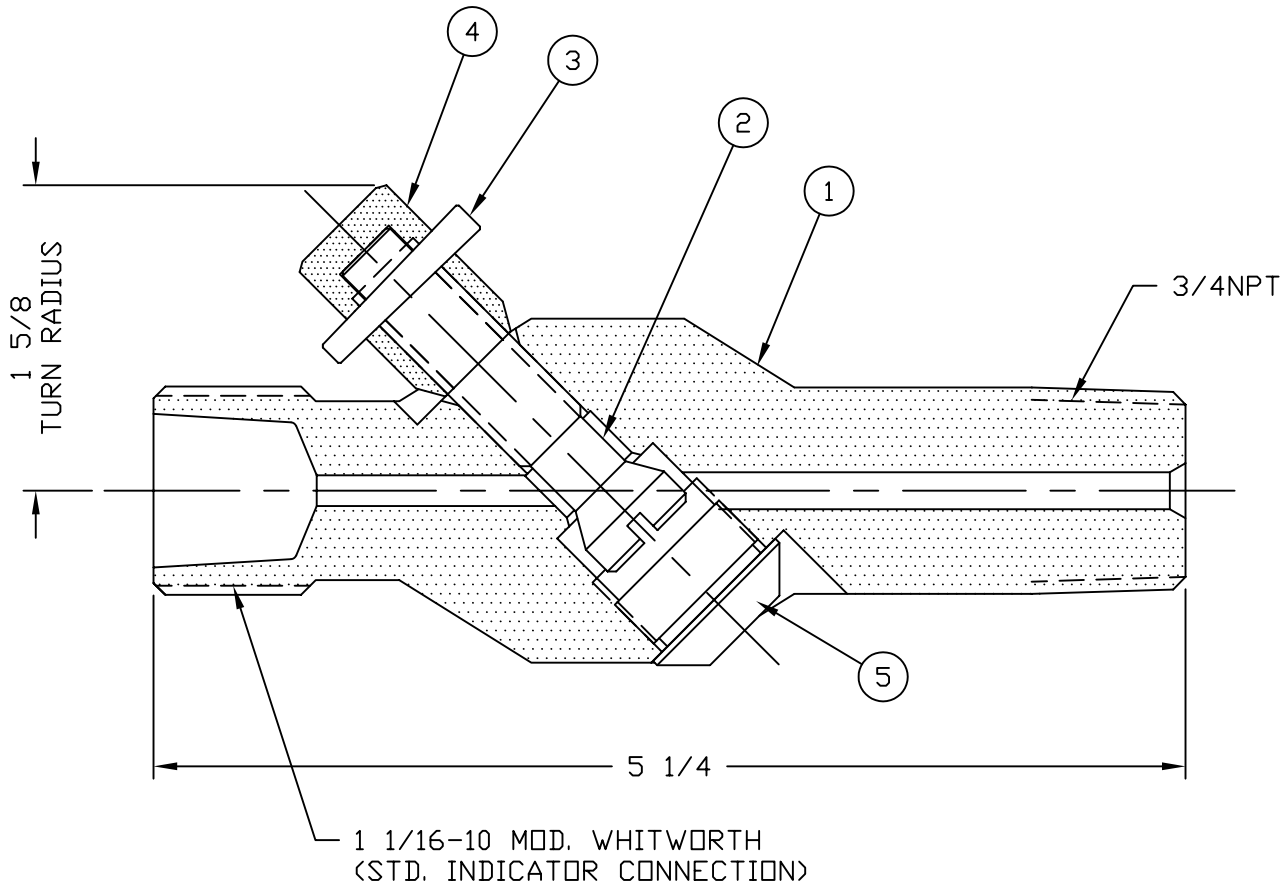


MATERIALS LIST		
ITEM	DESCRIPTION	MATERIAL
1	VALVE BODY	AISI-SAE 1215, ASTM A-108
2	VALVE STEM	ASTM A-582, TYPE 303SE
3	TAPER PIN	AISI-SAE 1215, ASTM A-108
4	CAP NUT	AISI-SAE 1215, ASTM A-108
5	CAP PLUG	AISI-SAE 1215, ASTM A-108



PRESSURE/TEMPERATURE RATING:

V-LINE VALVES ARE SUITABLE FOR SERVICE UP TO A MAXIMUM OF 3000 P.S.I. AT 800 DEGREES F.;

KIENE DIESEL ACCESSORIES

325 SOUTH FAIRBANKS STREET, ADDISON, ILLINOIS, 60101

DATA SHEET
V-27 INDICATOR VALVE

CURRENT REVISION: * FILE NAME: V-27 DATA SHEET DRAWING NUMBER: V-27 DATA SHEET